

1

2

3

4

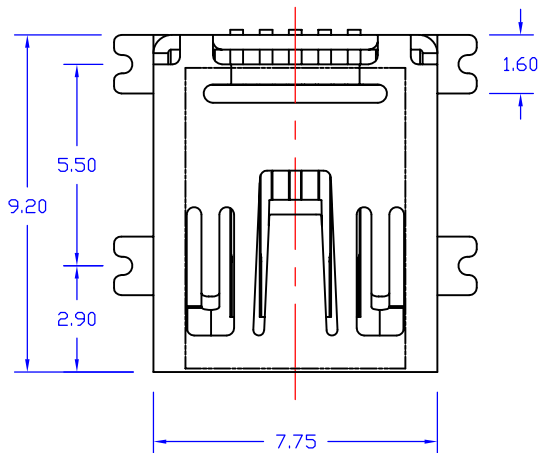
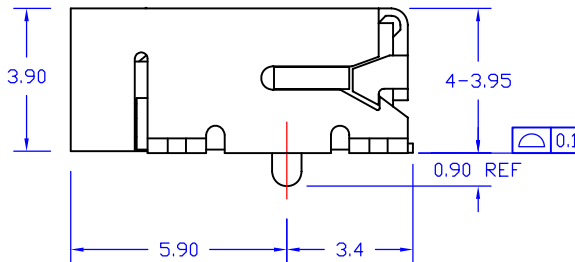
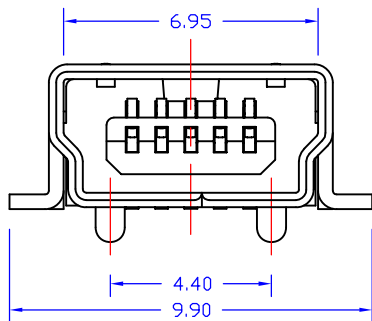
5

6

7

8

Rev.	Description	Date	Drawn by	Checked by	Approved by
A	New Drawing	2006/01/04	Michael	Gavin	Stephen



NOTE:

Material and Finish:

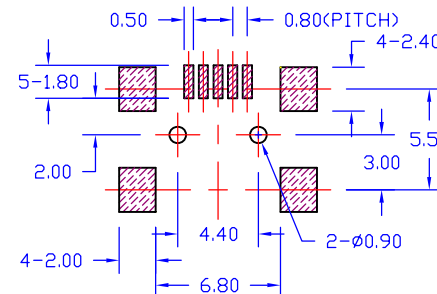
- 1. Housing: PBT (UL94V-0), Black.
- 2. Terminal: Copper Alloy, Gold Plating on Contact Area, Tin Plating on Solder Tail.
- 3. Shield: Copper Alloy, Matte Tin Plating Over All.

Electrical Characteristics:

- 1. Current Rating: 1.0 Amp. Max..
- 2. Dielectric Withstand Voltage: 100V AC RMS for 60Seconds.
- 3. Insulation Resistance: 110M Ohms Min. at 500V DC.
- 4. Contact Resistance: 50m Ohms Max..

Mechanical Characteristics:

- 1. Operating Temperature: -20°C ~ +60°C
- 2. Contact Us for Customization.



PCB Layout
(Top View)
<Scale 2:1>

Table 1

Part No.	Dimensions			
	Pos.	A	B	C
AEUB8S10B-004L	4			

Tolerance	Value
0	±0.30
0.0	±0.20
0.00	±0.10

Drawn By
Michael

Checked By
Gavin

Approved By
Stephen



Title
Mini USB B Type, Surface Mount Right Angle, 4P, Metal Shield, Female

AECONN Technology Corp.

RoHS Compliant

Drawing No. UB010-S-01
Page 1/1

1

2

3

4

5

6

7

8