

1

2

3

4

5

6

7

8

Rev.	Description	Date	Drawn by	Checked by	Approved by
A	New Drawing	2006/01/04	Michael	Gavin	Stephen

A

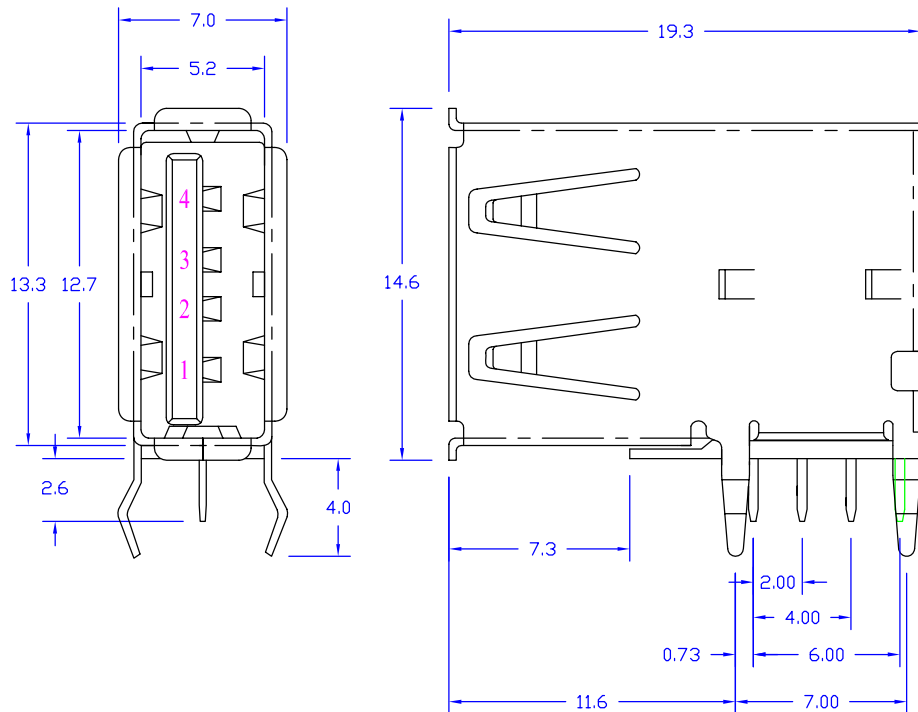
B

C

D

E

F



**NOTE:**

**Material and Finish:**

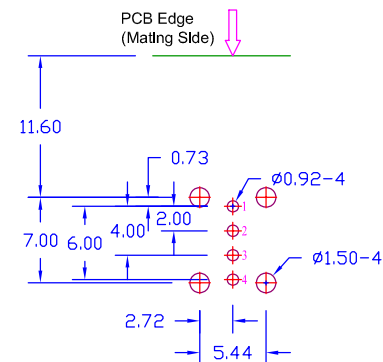
- 1. Housing: PBT (UL94V-0), White.
- 2. Terminal: Phosphor Bronze, Gold Plating on Contact Area, Tin Plating on Solder Tail.
- 3. Shield: Copper Alloy, Nickel Plating.

**Electrical Characteristics:**

- 1. Current Rating: 1.0 Amp. Max..
- 2. Dielectric Withstand Voltage: 500V AC RMS for 60Seconds.
- 3. Insulation Resistance: 1000M Ohms Min. at 500V DC.
- 4. Contact Resistance: 30m Ohms Max..

**Mechanical Characteristics:**

- 1. Operating Temperature: -25°C ~ +85°C
- 2. Contact Us for Customization.



PCB Layout  
(Top View)  
(Scale 2:1)

**Table 1**

Part No.	Dimensions			
	Pos.	A	B	C
AEUBCU09B-004F	4			

Tolerance	
0.0	±0.30
0.00	±0.20
0.000	±0.10

Drawn By	Michael
Checked By	Gavin
Approved By	Stephen

**AECONN**

**USB A Type, DIP Upright,  
4P, Metal Shield, Female**

AECONN Technology Corp.

Scale	Unit
1:1	mm

**RoHS Compliant**

Drawing No. UB009-S-01  
Page 1/1

1

2

3

4

5

6

7

8