

1

2

3

4

5

6

7

8

A

B

C

D

E

F

A

B

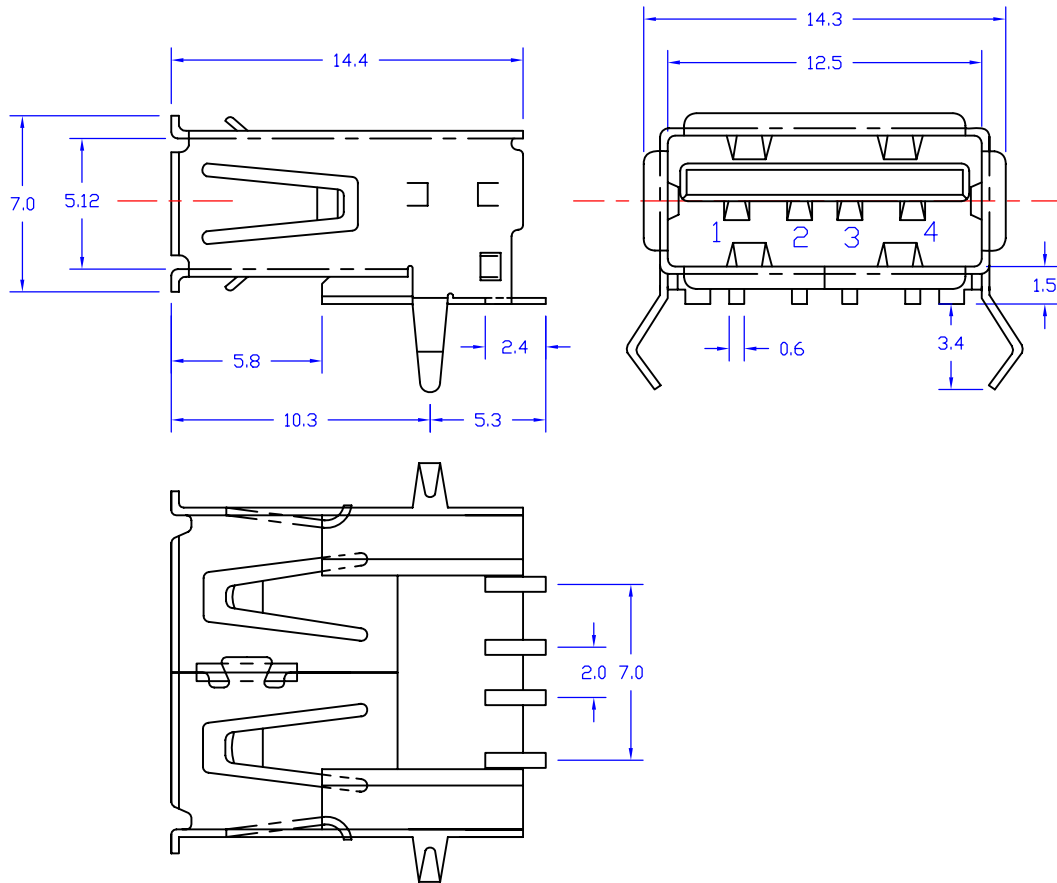
C

D

E

F

Rev.	Description	Date	Drawn by	Checked by	Approved by
A	New Drawing	2006/01/04	Michael	Gavin	Stephen



NOTE:

Material and Finish:

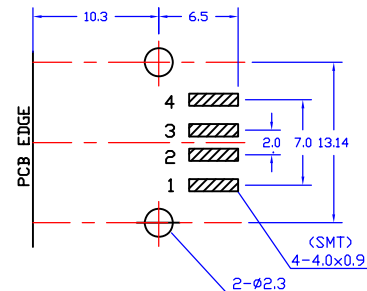
- 1. Housing: PA9T (UL94V-0), White.
- 2. Terminal: Phosphor Bronze, Gold Plating on Contact Area, Tin Plating on Solder Tail.
- 3. Shield: Brass, Nickel Plating.

Electrical Characteristics:

- 1. Current Rating: 1.5 Amp. Max.,
- 2. Dielectric Withstand Voltage: 750V AC RMS for 60Seconds.
- 3. Insulation Resistance: 1000M Ohms Min. at 500V DC.
- 4. Contact Resistance: 50m Ohms Max.,

Mechanical Characteristics:

- 1. Operating Temperature: -55°C ~ +105°C
- 2. Contact Us for Customization.



PCB Layout (Top View) (Scale 2:1)

Table 1

Part No.	Dimensions			
	Pos.	A	B	C
AEUBCS08B-004L	4			

Tolerance 0.0 ±0.20 0.00 ±0.10	Drawn By Michael	AECONN
	Checked By Gavin	
Approved By Stephen	Title USB A Type, DIP Right Angle, 4P, Metal Shield, Female	
Scale 1:1	Unit mm	AECONN Technology Corp.

RoHS Compliant

1

2

3

4

5

6

7

8