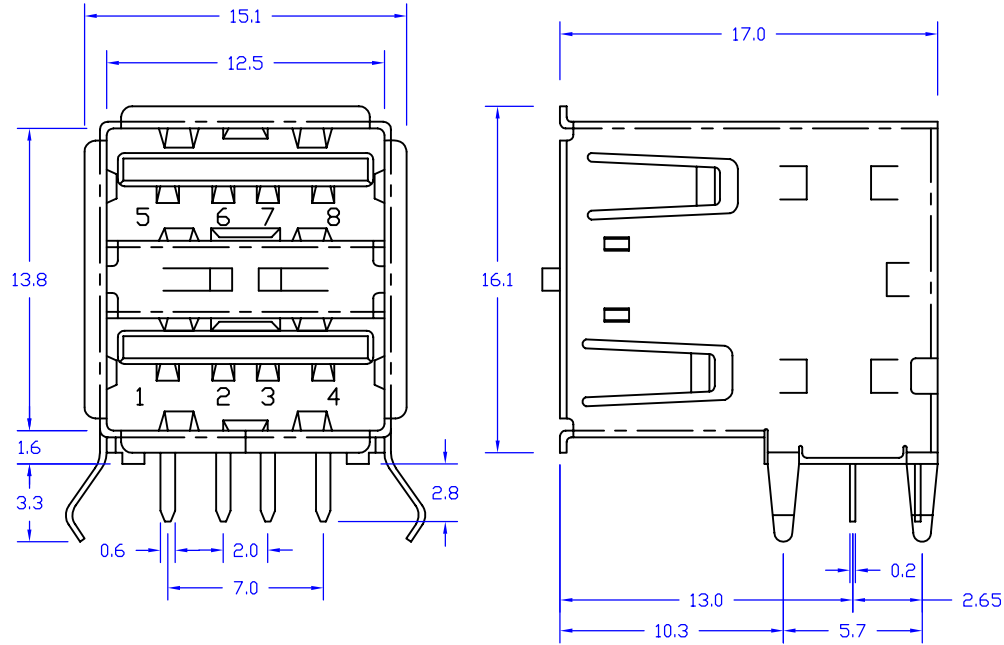


Rev.	Description	Date	Drawn by	Checked by	Approved by
A	New Drawing	2006/01/02	Michael	Gavin	Stephen



**NOTE:**

**Material and Finish:**

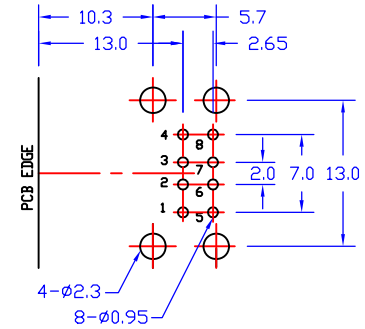
1. Housing: PBT (UL94V-0), White.
2. Terminal: Phosphor Bronze, Gold Plating on Contact Area, Tin Plating on Solder Tail.
3. Shield: Brass, Tin Plating.

**Electrical Characteristics:**

1. Current Rating: 1.5 Amp. Max..
2. Dielectric Withstand Voltage: 500V AC RMS for 60Seconds.
3. Insulation Resistance: 1000M Ohms Min. at 500V DC.
4. Contact Resistance: 30m Ohms Max..

**Mechanical Characteristics:**

1. Operating Temperature: -25°C ~ +85°C
2. Contact Us for Customization.



**Table 1**

Part No.	Dimensions			
	Pos.	A	B	C
H=13.8mm AEUBCR04B-008F	4			

Tolerance	0.0 ±0.30 0.00 ±0.20 0.000 ±0.10	Drawn By <b>Michael</b>	<b>AECONN</b>	
	Scale 1:1	Unit mm		Checked By <b>Gavin</b>
	Approved By <b>Stephen</b>			Title <b>USB Dual Type, DIP Right Angle, 8P, Metal Shield, Female</b>
AECOMN Technology Corp.			Page 1/1	

**RoHS Compliant**