

1

2

3

4

5

6

7

8

A

B

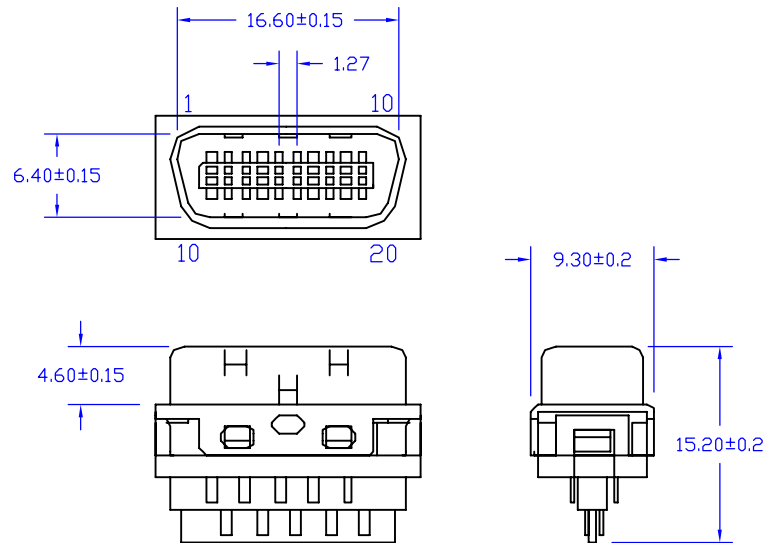
C

D

E

F

Rev.	Description	Date	Drawn by	Checked by	Approved by
A	New Drawing	2007/01/17	Michael	Gavin	Stephen



NOTE:

Material and Finish:

- 1. Housing: PBT (UL94V-0), Black.
- 2. Terminal: Phosphor Bronze, Gold Plating on Contact Area, Tin Plating on Solder Tail.

Electrical Characteristics:

- 1. Current Rating: 1.0 Amp. Max..
- 2. Dielectric Withstand Voltage: 500V AC RMS for 60Seconds.
- 3. Insulation Resistance: 500M Ohms Min. at 500V DC.
- 4. Contact Resistance: 35m Ohms Max..

Mechanical Characteristics:

- 1. Operating Temperature: -55°C ~ +105°C
- 2. Contact Us for Customization.

Table 1

Part No.	Dimensions			
	Pos.	A	B	C
AESCMB03B-020F	20			

RoHS Compliant

Tolerance 0 ±0.30 0.0 ±0.20 0.00 ±0.10	Drawn By Michael		
	Checked By Gavin		Title 1.27mm Pitch, Centronic, Solder Screw Type, 20P, Metal Shield with Jackscrew, Male
	Approved By Stephen		AECOM Technology Corp.

Drawing No. SC004-S-01 Page 1/1

1

2

3

4

5

6

7

8

F