

1

2

3

4

5

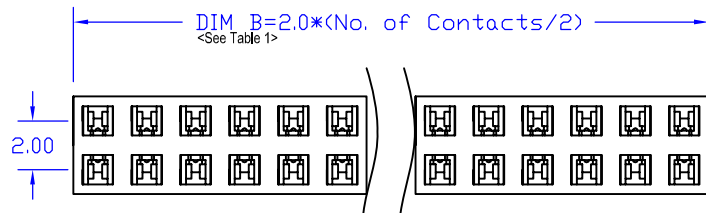
6

7

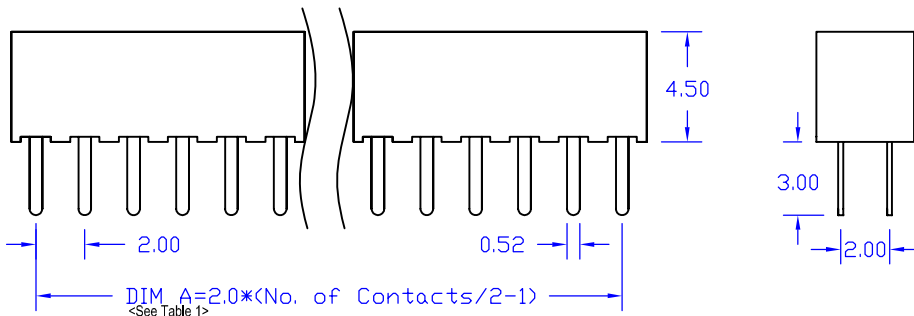
8

Rev.	Description	Date	Drawn by	Checked by	Approved by
A	New Drawing	2006/11/21	Michael	Gavin	Stephen

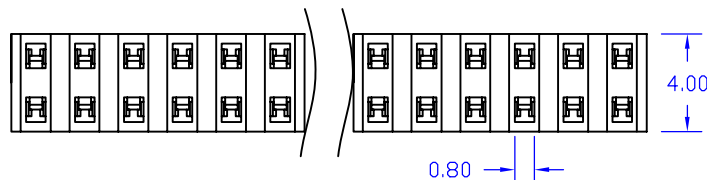
A



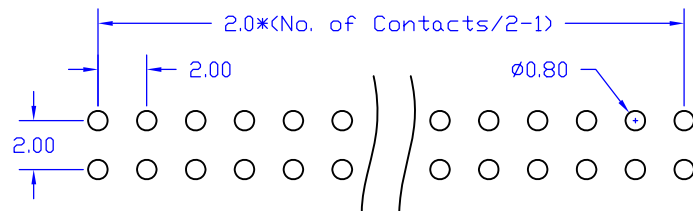
B



C



D



E

PCB Layout
(Top View)

F

NOTE:

Material and Finish:

1. Housing: Polyester (UL94V-0), Black,
2. Terminal: Phosphor Bronze, Gold Plating Over All.

Electrical Characteristics:

1. Current Rating: 1.0 Amp. Max..
2. Dielectric Withstand Voltage:
500V AC RMS for 60Seconds.
3. Insulation Resistance:
5000M Ohms Min. at 500V DC.
4. Contact Resistance: 20m Ohms Max..

Mechanical Characteristics:

1. Operating Temperature: -40°C ~ +105°C
2. Contact Us for Customization.

Table 1

Part No.		Dimensions		Part No.		Dimensions	
H=4.5mm	Pos.	A	B	H=4.5mm	Pos.	A	B
AEPRCV04A-203L	6	4.00	6.00	AEPRCV04A-222L	44	42.00	44.00
AEPRCV04A-204L	8	6.00	8.00	AEPRCV04A-223L	46	44.00	46.00
AEPRCV04A-205L	10	8.00	10.00	AEPRCV04A-224L	48	46.00	48.00
AEPRCV04A-206L	12	10.00	12.00	AEPRCV04A-225L	50	48.00	50.00
AEPRCV04A-207L	14	12.00	14.00	AEPRCV04A-226L	52	50.00	52.00
AEPRCV04A-208L	16	14.00	16.00	AEPRCV04A-227L	54	52.00	54.00
AEPRCV04A-209L	18	16.00	18.00	AEPRCV04A-228L	56	54.00	56.00
AEPRCV04A-210L	20	18.00	20.00	AEPRCV04A-229L	58	56.00	58.00
AEPRCV04A-211L	22	20.00	22.00	AEPRCV04A-230L	60	58.00	60.00
AEPRCV04A-212L	24	22.00	24.00	AEPRCV04A-231L	62	60.00	62.00
AEPRCV04A-213L	26	24.00	26.00	AEPRCV04A-232L	64	62.00	64.00
AEPRCV04A-214L	28	26.00	28.00	AEPRCV04A-233L	66	64.00	66.00
AEPRCV04A-215L	30	28.00	30.00	AEPRCV04A-234L	68	66.00	68.00
AEPRCV04A-216L	32	30.00	32.00	AEPRCV04A-235L	70	68.00	70.00
AEPRCV04A-217L	34	32.00	34.00	AEPRCV04A-236L	72	70.00	72.00
AEPRCV04A-218L	36	34.00	36.00	AEPRCV04A-237L	74	72.00	74.00
AEPRCV04A-219L	38	36.00	38.00	AEPRCV04A-238L	76	74.00	76.00
AEPRCV04A-220L	40	38.00	40.00	AEPRCV04A-239L	78	76.00	78.00
AEPRCV04A-221L	42	40.00	42.00	AEPRCV04A-240L	80	78.00	80.00

A

B

C

D

E

F

RoHS Compliant

1

2

3

4

5

6

7

8

Tolerance 0 ±0.20 0.0 ±0.20 0.00 ±0.20	Drawn By Michael		
	Checked By Gavin		Title 2.00mm Pitch, Post Header Receptcle, DIP Vertical, Dual, Female
	Approved By Stephen		AECOMN Technology Corp.

Drawing No. PR004-S-01
Page 1/1