

1

2

3

4

5

6

7

8

Rev.	Description	Date	Drawn by	Checked by	Approved by
A	New Drawing	2006/01/01	Michael	Gavin	Stephen

A

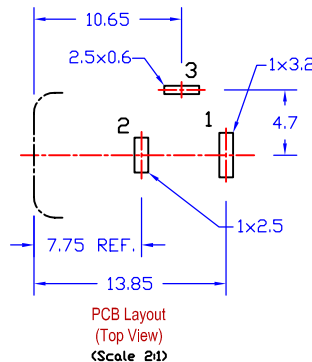
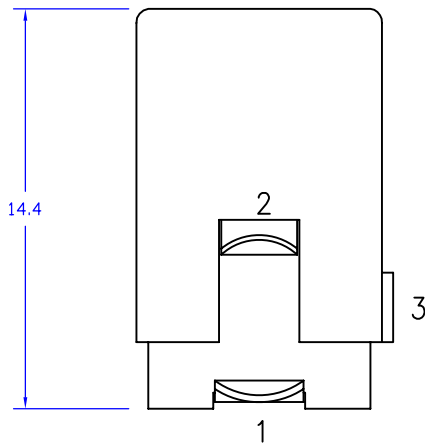
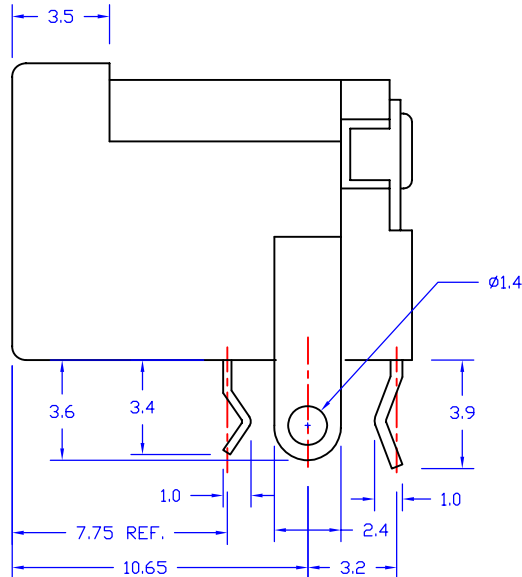
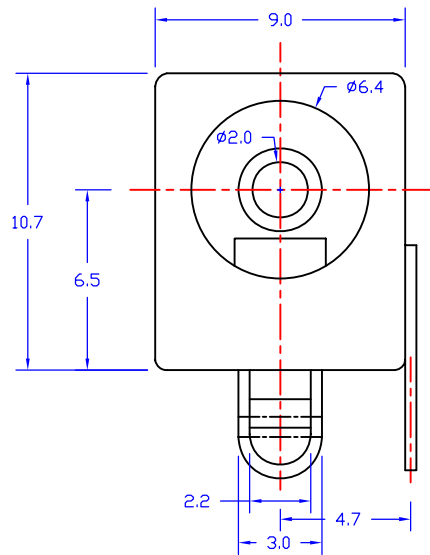
B

C

D

E

F



**NOTE:**

**Material and Finish:**

- 1. Housing: PBT (UL94V-0), Black.
- 2. Terminal: Copper Alloy, Tin Plating Over All.

**Electrical Characteristics:**

- 1. Current Rating: 2.5 Amp. Max..
- 2. Dielectric Withstand Voltage:  
500V AC RMS for 60Seconds.
- 3. Insulation Resistance:  
100M Ohms Min. at 500V DC.
- 4. Contact Resistance: 50m Ohms Max..

**Mechanical Characteristics:**

- 1. Operating Temperature: -25°C ~ +85°C
- 2. Contact Us for Customization.

**Table 1**

Part No.	Dimensions			
	Pos.	A	B	C
AEPJCR06G-001F	1			

PART NO.	AEPJCR06G-001F
CIRCUIT	

Tolerance	0.0 ±0.30
	0.00 ±0.30
	0.000 ±0.20

Drawn By	Michael
Checked By	Gavin
Approved By	Stephen

**AECONN**

**2.00mm Dia., DC Power Jack,  
DIP Right Angle, 1P, Female**

AECONN Technology Corp.

Scale	1:1
Unit	mm

**RoHS Compliant**

1

2

3

4

5

6

7

8

Drawing No. P-J006-S-01

1/1

Page