

1

2

3

4

5

6

7

8

A

B

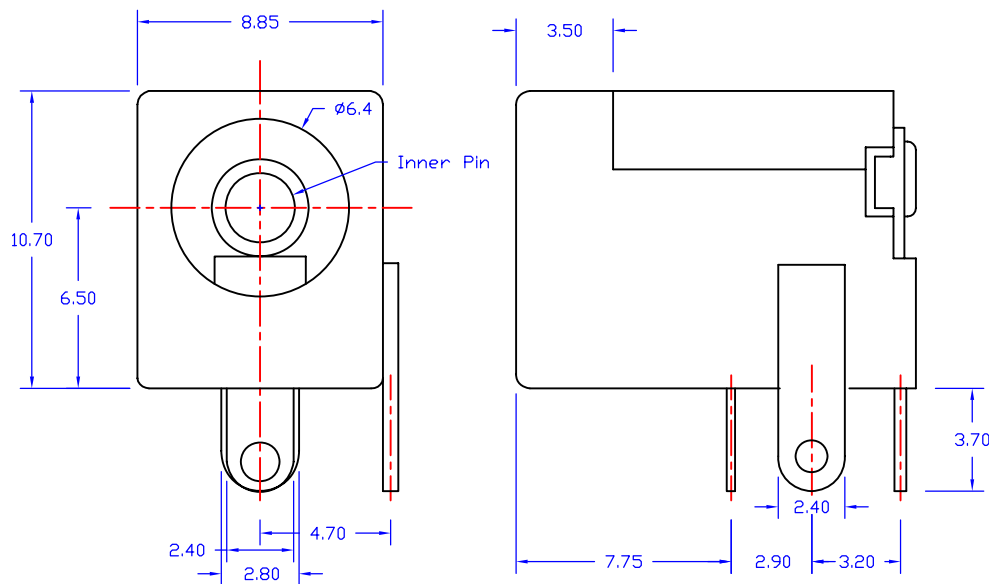
C

D

E

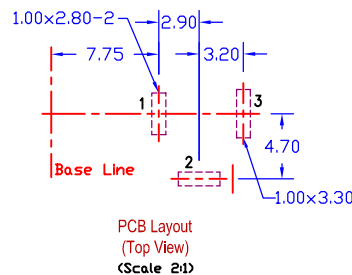
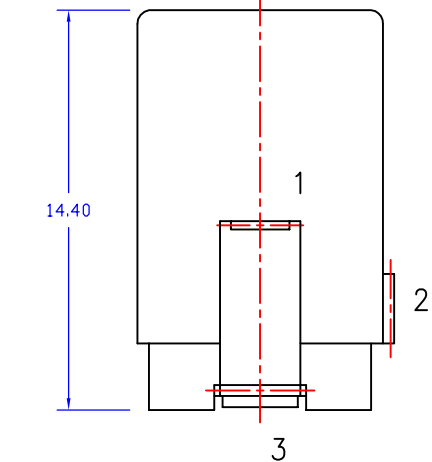
F

Rev.	Description	Date	Drawn by	Checked by	Approved by
A	New Drawing	2006/01/01	Michael	Gavin	Stephen



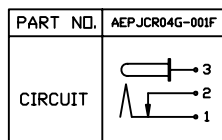
**NOTE:**

- Material and Finish:**  
 1. Housing: PBT (UL94V-0), Black.  
 2. Terminal: Copper Alloy, Tin Plating Over All.
- Electrical Characteristics:**  
 1. Current Rating: 2.5 Amp. Max..  
 2. Dielectric Withstand Voltage: 500V AC RMS for 60Seconds.  
 3. Insulation Resistance: 100M Ohms Min. at 500V DC.  
 4. Contact Resistance: 50m Ohms Max..
- Mechanical Characteristics:**  
 1. Operating Temperature: -25°C ~ +85°C  
 2. Contact Us for Customization.



**Table 1**

Part No.	Dimensions		
	H=10.7mm	Pos.	A B C
AEPJCR04G-001F	1		



Tolerance	0.0 ±0.30 0.00 ±0.30 0.000 ±0.20	Drawn By <b>Michael</b>	<b>AECONN</b>
		Checked By <b>Gavin</b>	
		Approved By <b>Stephen</b>	
Scale	1:1	Unit	mm
			Title <b>2.00mm Dia., DC Power Jack, DIP Right Angle, 1P, Female</b>
			AECONN Technology Corp.

**RoHS Compliant**

Drawing No. PJ004-S-01  
Page 1/1

1

2

3

4

5

6

7

8

F