

1

2

3

4

5

6

7

8

A

B

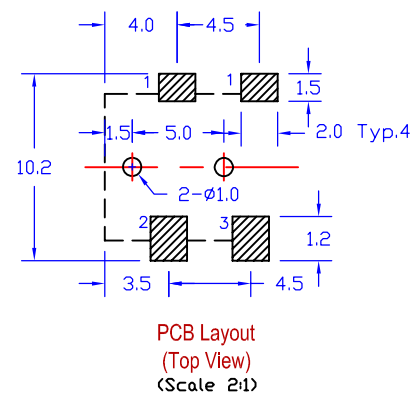
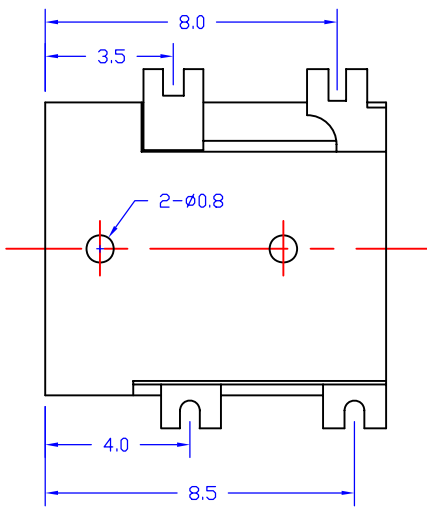
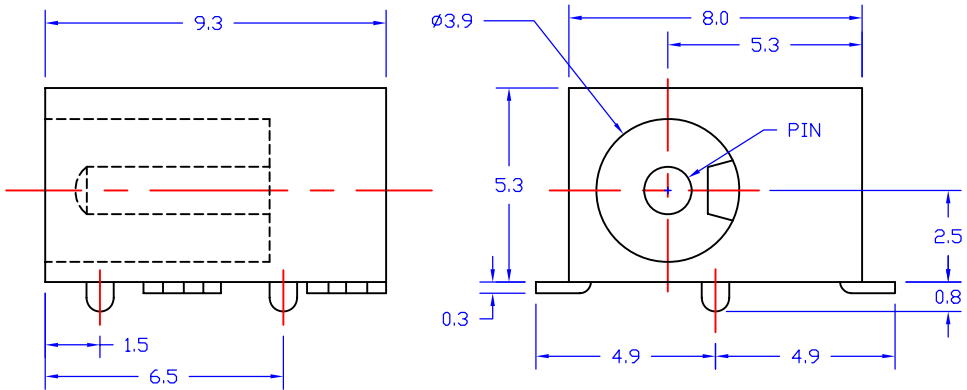
C

D

E

F

Rev.	Description	Date	Drawn by	Checked by	Approved by
A	New Drawing	2006/01/01	Michael	Gavin	Stephen

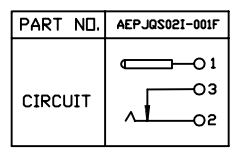


**NOTE:**

- Material and Finish:**  
 1. Housing: PBT (UL94V-0), Black.  
 2. Terminal: Brass, Silver Plating Over All.  
 3. Center Pin: Brass, Nickel Plating Over All.
- Electrical Characteristics:**  
 1. Current Rating: 1.0 Amp. Max..  
 2. Dielectric Withstand Voltage:  
 500V AC RMS for 60Seconds.  
 3. Insulation Resistance:  
 100M Ohms Min. at 500V DC.  
 4. Contact Resistance: 30m Ohms Max..
- Mechanical Characteristics:**  
 1. Operating Temperature: -30°C ~ +85°C  
 2. Contact Us for Customization.

**Table 1**

Part No.	Dimensions			
	Pos.	A	B	C
AEPJQS021-001F	1			



Tolerance	0 ±0.30 0.0 ±0.20 0.00 ±0.10	Drawn By <b>Michael</b>
		Checked By <b>Gavin</b>
		Approved By <b>Stephen</b>
Scale	1:1	Unit mm

**AECONN**

*Title*  
**1.30mm Dia., DC Power Jack, Surface Mount Right Angle, 1P, Female**

AECNN Technology Corp.



1

2

3

4

5

6

7

8

A

B

C

D

E

F