

1

2

3

4

5

6

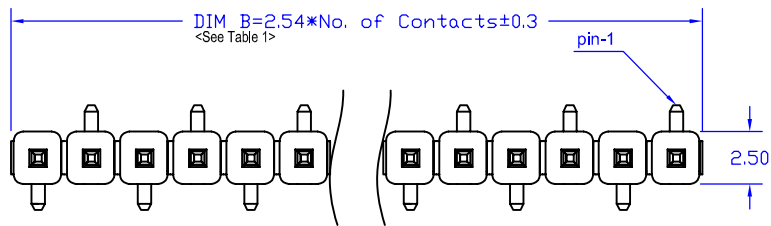
7

8

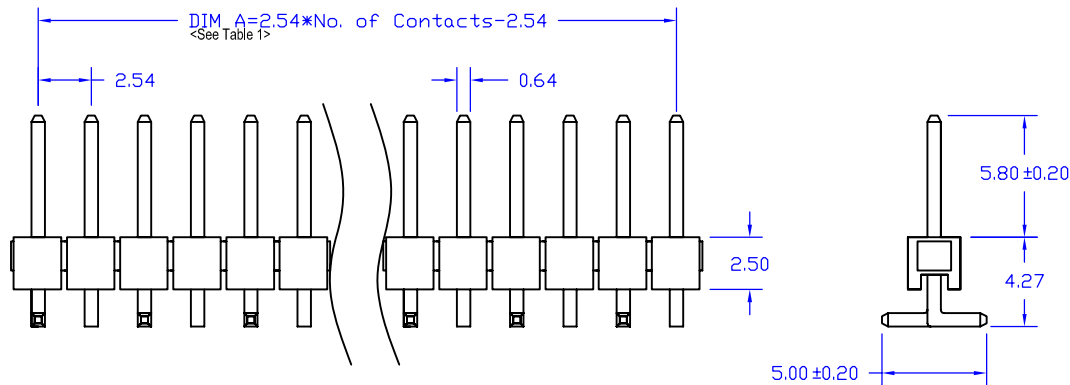
Rev.	Description	Date	Drawn by	Checked by	Approved by
A	New Drawing	2006/11/20	Michael	Gavin	Stephen

A

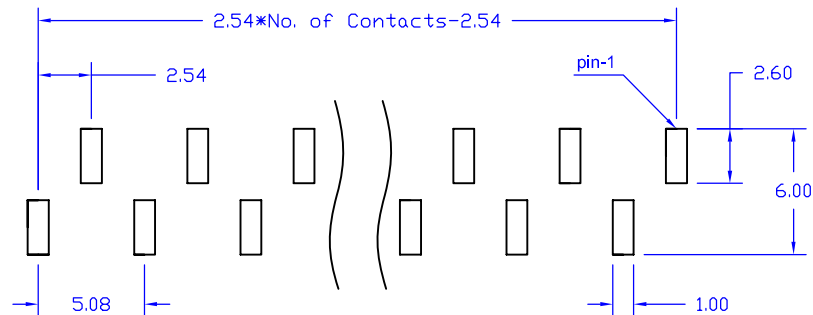
B



C



D



PCB Layout
(Top View)

E

F

NOTE:

Material and Finish:

- 1. Housing: Polyester (UL94V-0), Black,
- 2. Terminal: Copper Alloy, Gold Plating Over All.

Electrical Characteristics:

- 1. Current Rating: 3.0 Amp. Max..
- 2. Dielectric Withstand Voltage: 500V AC RMS for 60Seconds.
- 3. Insulation Resistance: 5000M Ohms Min. at 500V DC.
- 4. Contact Resistance: 30m Ohms Max..

Mechanical Characteristics:

- 1. Operating Temperature: -40°C ~ +105°C
- 2. Contact Us for Customization.

Table 1

Part No.		Dimensions		Part No.		Dimensions	
H=2.5mm	Pos.	A	B	H=2.5mm	Pos.	A	B
AEPHES11A-102F	2	2.54	5.08	AEPHES11A-122F	22	53.34	55.88
AEPHES11A-103F	3	5.08	7.62	AEPHES11A-123F	23	55.88	58.42
AEPHES11A-104F	4	7.62	10.16	AEPHES11A-124F	24	58.42	60.96
AEPHES11A-105F	5	10.16	12.70	AEPHES11A-125F	25	60.96	63.50
AEPHES11A-106F	6	12.70	15.24	AEPHES11A-126F	26	63.50	66.04
AEPHES11A-107F	7	15.24	17.78	AEPHES11A-127F	27	66.04	68.58
AEPHES11A-108F	8	17.78	20.32	AEPHES11A-128F	28	68.58	71.12
AEPHES11A-109F	9	20.32	22.86	AEPHES11A-129F	29	71.12	73.66
AEPHES11A-110F	10	22.86	25.40	AEPHES11A-130F	30	73.66	76.20
AEPHES11A-111F	11	25.40	27.94	AEPHES11A-131F	31	76.20	78.74
AEPHES11A-112F	12	27.94	30.48	AEPHES11A-132F	32	78.74	81.28
AEPHES11A-113F	13	30.48	33.02	AEPHES11A-133F	33	81.28	83.82
AEPHES11A-114F	14	33.02	35.56	AEPHES11A-134F	34	83.82	86.36
AEPHES11A-115F	15	35.56	38.10	AEPHES11A-135F	35	86.36	88.90
AEPHES11A-116F	16	38.10	40.64	AEPHES11A-136F	36	88.90	91.44
AEPHES11A-117F	17	40.64	43.18	AEPHES11A-137F	37	91.44	93.98
AEPHES11A-118F	18	43.18	45.72	AEPHES11A-138F	38	93.98	96.52
AEPHES11A-119F	19	45.72	48.26	AEPHES11A-139F	39	96.52	99.06
AEPHES11A-120F	20	48.26	50.80	AEPHES11A-140F	40	99.06	101.60
AEPHES11A-121F	21	50.80	53.34				

A

B

C

D

E

F



1

2

3

4

5

6

7

8

Tolerance 0 ±0.20 0.0 ±0.20 0.00 ±0.20	Drawn By Michael		
	Checked By Gavin		Title 2.54mm Pitch, Post Header, Surface Mount Vertical, Single, Male
	Approved By Stephen		AECONN Technology Corp.
Scale 1 : 1	Unit mm		

Drawing No. PH011-S-01
Page 1/1