

1

2

3

4

5

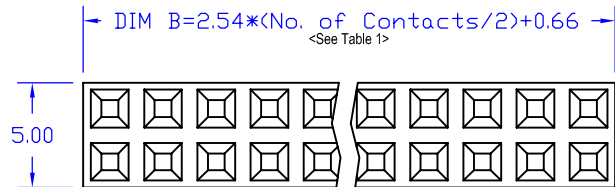
6

7

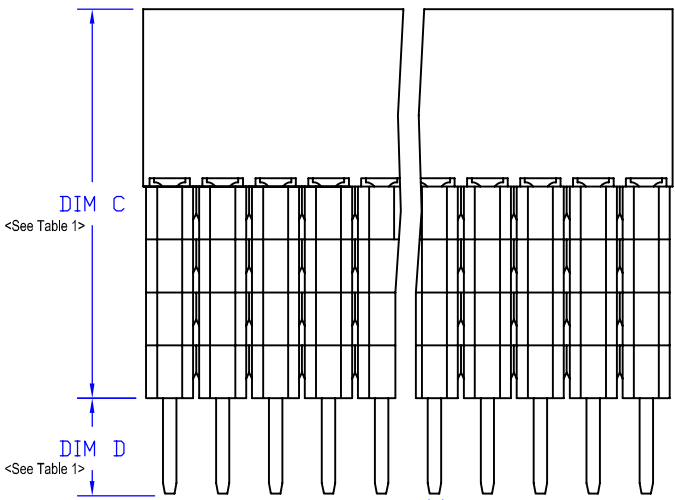
8

Rev.	Description	Date	Drawn by	Checked by	Approved by
A	New Drawing	2006/12/28	Michael	Gavin	Stephen

A

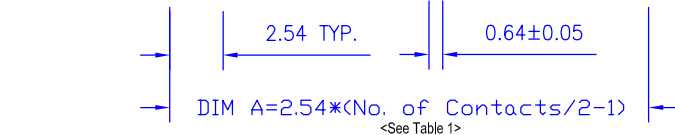


B

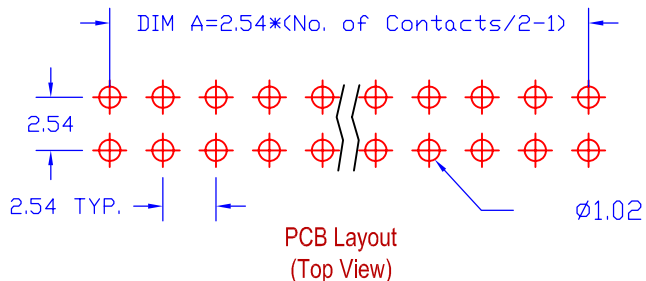


C

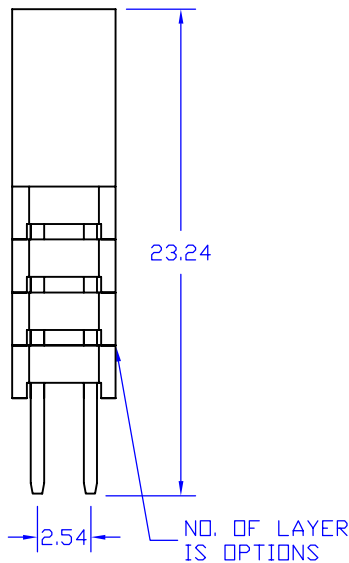
D



E



F



NOTE:

Material and Finish:

- 1. Housing: PBT (UL94V-0), Black.
- 2. Terminal: Phosphor Bronze, Gold Plating Over All.

Electrical Characteristics:

- 1. Current Rating: 3.0 Amp. Max..
- 2. Dielectric Withstand Voltage: 1000V AC RMS for 60Seconds.
- 3. Insulation Resistance: 5000M Ohms Min. at 500V DC.
- 4. Contact Resistance: 30m Ohms Max..

Mechanical Characteristics:

- 1. Operating Temperature: -55°C ~ +105°C
- 2. Contact Us for Customization.

Table 1

Part No.	H=Layer Thickness	Pos.	Dimensions				Layer
			A	B	C	D	
AEPCV03A-220F	40	48.26	51.46	11.05	12.19	Layer 1	
AEPCV03A-232F	64	78.74	81.94	11.05	12.19		
AEPCV03A-220F2	40	48.26	51.46	13.59	9.65	Layer 2	
AEPCV03A-232F2	64	78.74	81.94	13.59	9.65		
AEPCV03A-220F3	40	48.26	51.46	16.13	7.11	Layer 3	
AEPCV03A-232F3	64	78.74	81.94	16.13	7.11		
AEPCV03A-220F4	40	48.26	51.46	18.67	4.57	Layer 4	
AEPCV03A-232F4	64	78.74	81.94	18.67	4.57		

※ Contact us for Layer 2~4.

Tolerance 0.0 ±0.30 0.00 ±0.20	Drawn By Michael	AECONN	
	Checked By Gavin		Title 2.54mm Pitch, PC104 Receptacle, DIP Vertical, Dual, Elevated Type
	Approved By Stephen		AECONN Technology Corp.
Scale 1:1	Unit mm		

RoHS Compliant

1

2

3

4

5

6

7

8

Drawing No. PC003-S-01
Page 1/1

F