

1

2

3

4

5

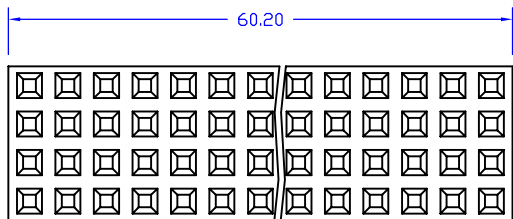
6

7

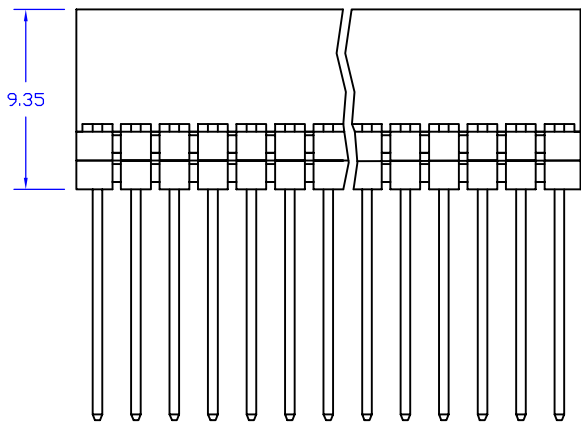
8

| Rev. | Description | Date | Drawn by | Checked by | Approved by |
|------|-------------|------------|----------|------------|-------------|
| A | New Drawing | 2006/12/28 | Michael | Gavin | Stephen |
| | | | | | |
| | | | | | |

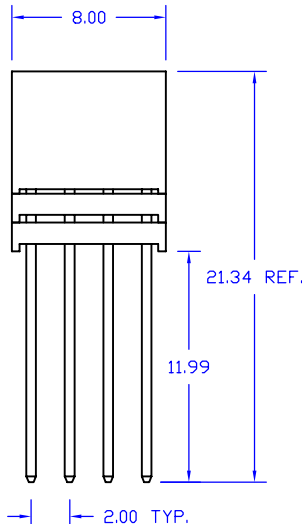
A



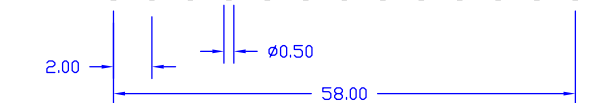
B



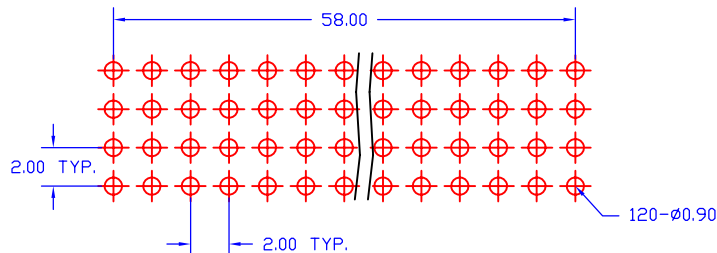
C



D



E



F

PCB Layout
(Top View)

NOTE:

Material and Finish:

- 1. Housing: PBT (UL94V-0), Black.
- 2. Terminal: Copper Alloy, Gold Plating Over All.

Electrical Characteristics:

- 1. Current Rating: 1.0 Amp. Max..
- 2. Dielectric Withstand Voltage: 800V AC RMS for 60Seconds.
- 3. Insulation Resistance: 5000M Ohms Min. at 500V DC.
- 4. Contact Resistance: 30m Ohms Max..

Mechanical Characteristics:

- 1. Operating Temperature: -40°C ~ +85°C
- 2. Contact Us for Customization.

Table 1

| Part No. | Dimensions | | | |
|----------------|------------|---|---|---|
| | Pos. | A | B | C |
| AEPCCV01A-430F | 120 | | | |

RoHS Compliant

1

2

3

4

5

6

7

8

| | | |
|--------------------------------------|-------------------------------|--|
| Tolerance 0.0 ±0.38 0.00 ±0.25 | Drawn By Michael |  AECONN |
| | Checked By Gavin | |
| | Approved By Stephen | |
| Scale 1:1 | Unit mm | Title 2.00mm Pitch, PC104 Receptacle, DIP Vertical, Quad, 120P, Pin H:11.99mm AECOMN Technology Corp. |

Drawing No. PC001-S-01
Page 1/1