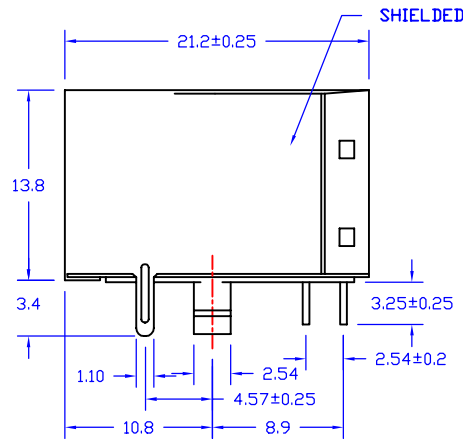
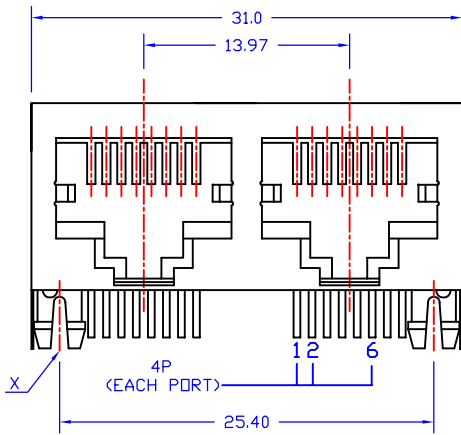


Rev.	Description	Date	Drawn by	Checked by	Approved by
A	New Drawing	2006/12/28	Michael	Gavin	Stephen



**NOTE:**

**Material and Finish:**

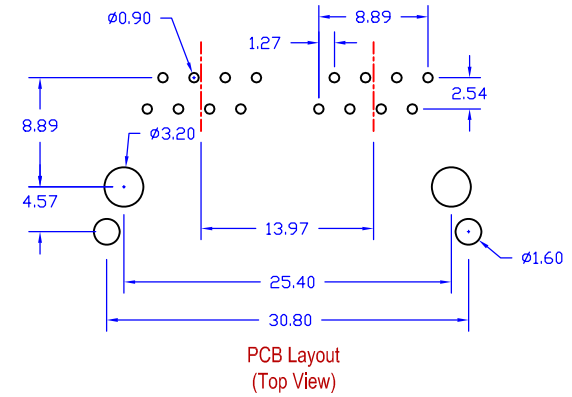
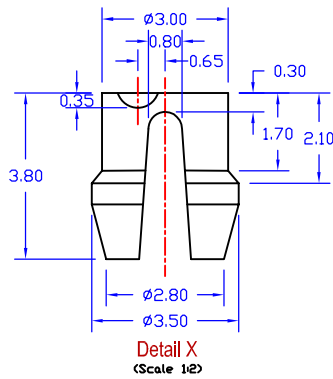
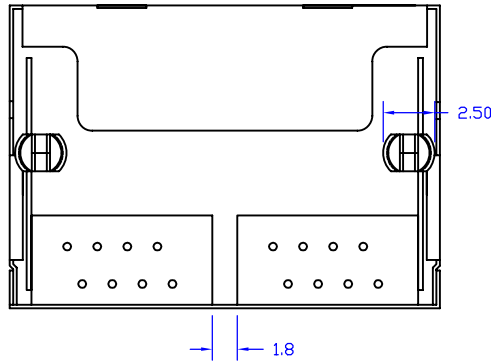
1. Housing: PBT (UL94V-0), Black.
2. Terminal: Phosphor Bronze, Gold Plating Over All.
3. Shield: Copper Alloy, Nickel Plating.

**Electrical Characteristics:**

1. Current Rating: 1.5 Amp. Max..
2. Dielectric Withstand Voltage: 1000V AC RMS for 60Seconds.
3. Insulation Resistance: 500M Ohms Min. at 500V DC.
4. Contact Resistance: 30m Ohms Max..

**Mechanical Characteristics:**

1. Operating Temperature: -40°C ~ +70°C
2. Contact Us for Customization.



**Table 1**

Part No.	Pos.	Dimensions		
		A	B	C
AEMJEE06A-016F	16			

Tolerance	
0.0	±0.25
0.00	±0.13
0.000	±0.05



Scale	Unit
1:1	mm

Drawn By  
**Michael**

Checked By  
**Gavin**

Approved By  
**Stephen**



**Modular Jack, DIP Right Angle, Side Entry, 8P8C, Metal Shield**

AECOMM Technology Corp.

**RoHS Compliant**