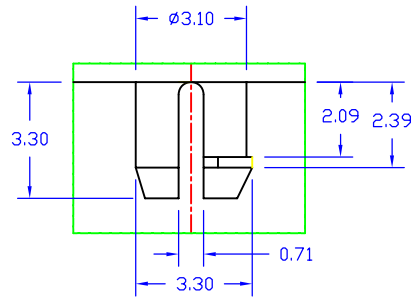
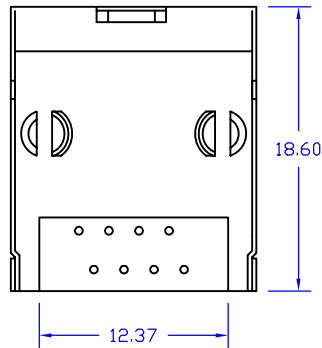
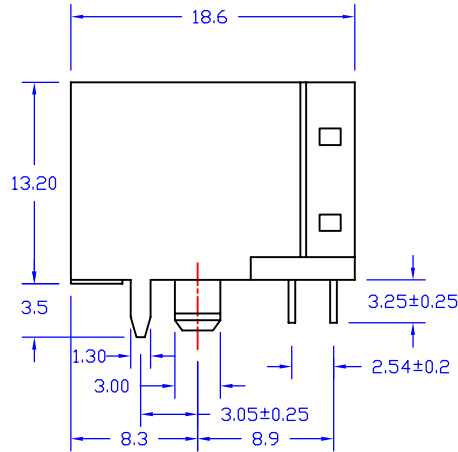
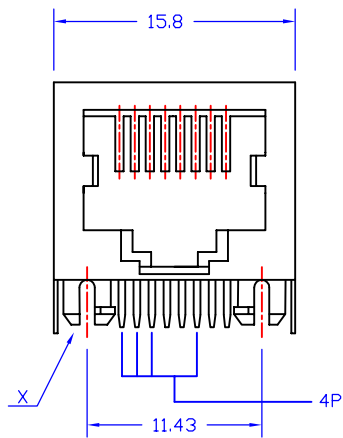


| Rev. | Description | Date | Drawn by | Checked by | Approved by |
|------|-------------|------------|----------|------------|-------------|
| A | New Drawing | 2006/12/28 | Michael | Gavin | Stephen |
| | | | | | |
| | | | | | |



Detail X
(Scale 1:2)

NOTE:

Material and Finish:

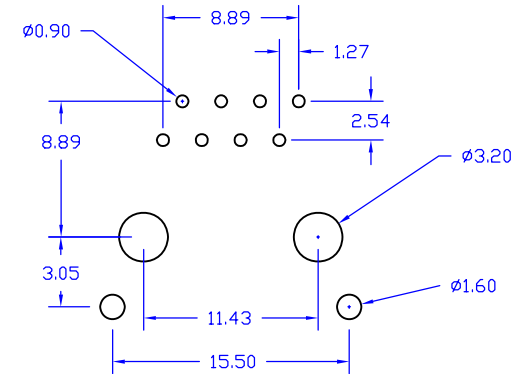
1. Housing: PBT (UL94V-0), Black.
2. Terminal: Phosphor Bronze, Gold Plating Over All.
3. Shield: Copper Alloy, Nickel Plating.

Electrical Characteristics:

1. Current Rating: 1.5 Amp. Max..
2. Dielectric Withstand Voltage:
1000V AC RMS for 60Seconds.
3. Insulation Resistance:
500M Ohms Min. at 500V DC.
4. Contact Resistance: 30m Ohms Max..

Mechanical Characteristics:

1. Operating Temperature: -40°C ~ +70°C
2. Contact Us for Customization.



PCB Layout
(Top View)

Table 1

| Part No. | Dimensions | | | |
|----------------|------------|---|---|---|
| | Pos. | A | B | C |
| AEMJEE05A-008F | 8 | | | |

| Tolerance | |
|-----------|-------|
| 0.0 | ±0.25 |
| 0.00 | ±0.13 |
| 0.000 | ±0.05 |

| | |
|-------------|---------|
| Drawn By | Michael |
| Checked By | Gavin |
| Approved By | Stephen |

AECONN

Title
**Modular Jack, DIP Right Angle,
Side Entry, 8P8C, Metal Shield**

AECNN Technology Corp.

| | |
|-------------|------------|
| Drawing No. | MJ005-S-01 |
| Page | 1/1 |

