

1

2

3

4

5

6

7

8

Rev.	Description	Date	Drawn by	Checked by	Approved by
A	New Drawing	2006/12/28	Michael	Gavin	Stephen

A

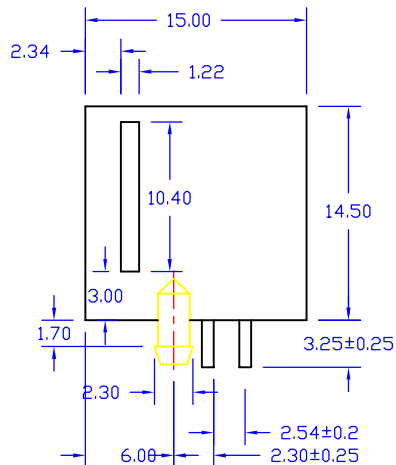
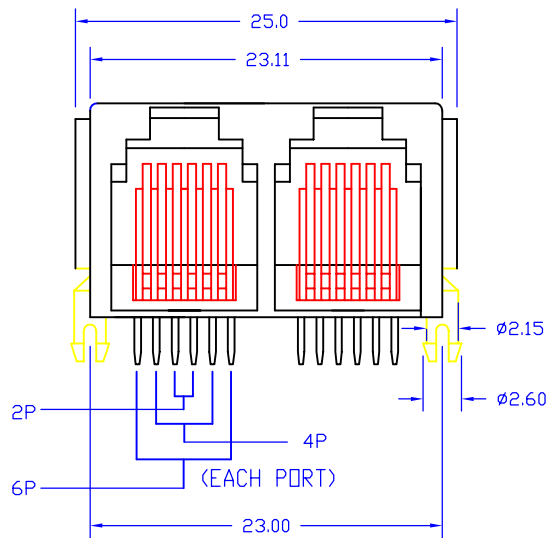
B

C

D

E

F



**NOTE:**

**Material and Finish:**

1. Housing: PBT (UL94V-0), Black.
2. Terminal: Phosphor Bronze, Gold Plating Over All.
3. Shield: Copper Alloy, Nickel Plating.

**Electrical Characteristics:**

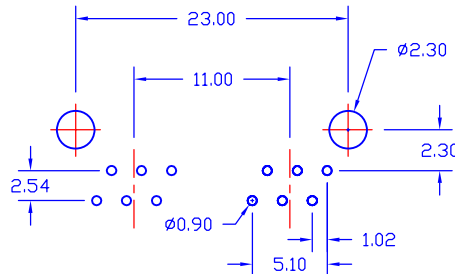
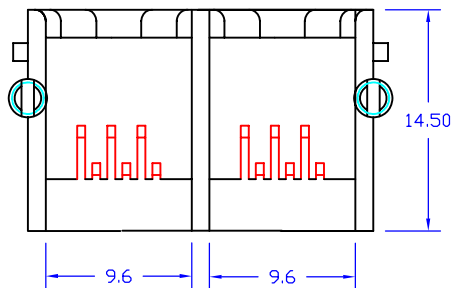
1. Current Rating: 1.5 Amp. Max..
2. Dielectric Withstand Voltage: 1000V AC RMS for 60Seconds.
3. Insulation Resistance: 500M Ohms Min. at 500V DC.
4. Contact Resistance: 30m Ohms Max..

**Mechanical Characteristics:**

1. Operating Temperature: -25°C ~ +85°C
2. Contact Us for Customization.

**Table 1**

Part No.	Dimensions		
	H=15.0mm	Pos.	A B C
AEMJEE01A-008F	8		



PCB Layout (Top View)

A

B

C

D

E

F

RoHS Compliant

1

2

3

4

5

6

7

8

Tolerance 0.0 ±0.25 0.00 ±0.13 0.000 ±0.05	Drawn By <b>Michael</b>		
	Checked By <b>Gavin</b>		Title <b>Modular Jack, DIP Right Angle, Side Entry, 8P8C, Metal Shield</b>
	Approved By <b>Stephen</b>		AECOM Technology Corp.
Scale 1:1	Unit mm	Drawing No. MJ002-S-01 Page 1/1	