

1

2

3

4

5

6

7

8

Rev.	Description	Date	Drawn by	Checked by	Approved by
A	New Drawing	2006/12/28	Michael	Gavin	Stephen

A

B

C

D

E

F

A

B

C

D

E

F

NOTE:

Material and Finish:

- 1. Housing: PBT (UL94V-0), Black.
- 2. Terminal: Phosphor Bronze, Gold Plating on Contact Area, Tin Plating on Solder Tail.
- 3. Shield: Brass, Tin Plating.

Electrical Characteristics:

- 1. Current Rating: 1.0 Amp. Max..
- 2. Dielectric Withstand Voltage: 500V AC RMS for 60Seconds.
- 3. Insulation Resistance: 500M Ohms Min. at 500V DC.
- 4. Contact Resistance: 30m Ohms Max..

Mechanical Characteristics:

- 1. Operating Temperature: -55°C ~ +105°C
- 2. Contact Us for Customization.

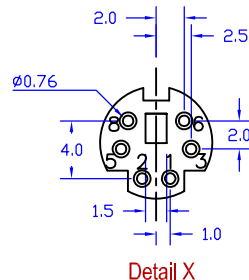
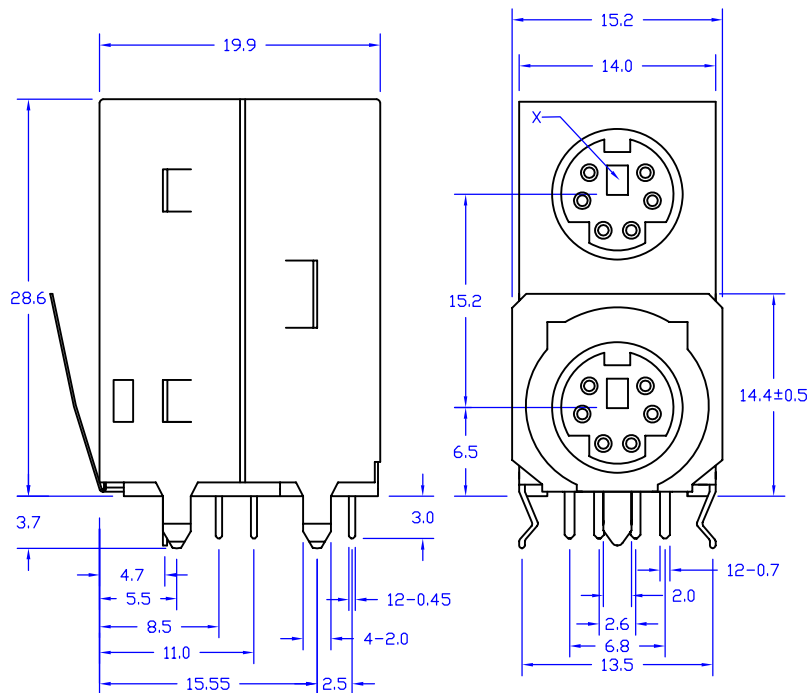
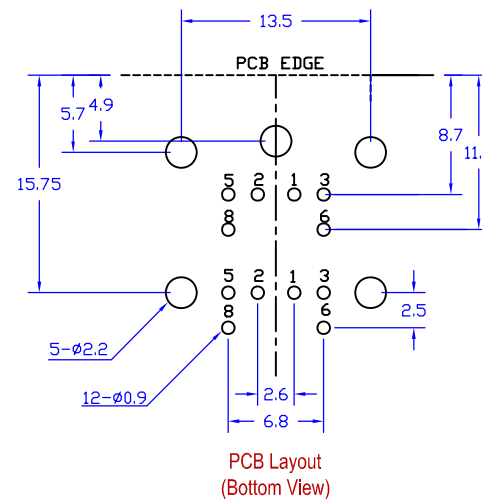


Table 1

Part No.	Dimensions			
H=28.6mm	Pos.	A	B	C
AEMDXR09B-012F	12			



Tolerance	0.0 ±0.30 0.00 ±0.20 0.000 ±0.10	Drawn By Michael	AECONN
	Checked By Gavin	Title Mini DIN Jack, DIP Right Angle, Dual Type, 12P	
	Approved By Stephen	AECONN Technology Corp.	
Scale 1:1	Unit mm		

RoHS Compliant

Drawing No. MD009-S-01
Page 1/1

1

2

3

4

5

6

7

8