

1

2

3

4

5

6

7

8

A

B

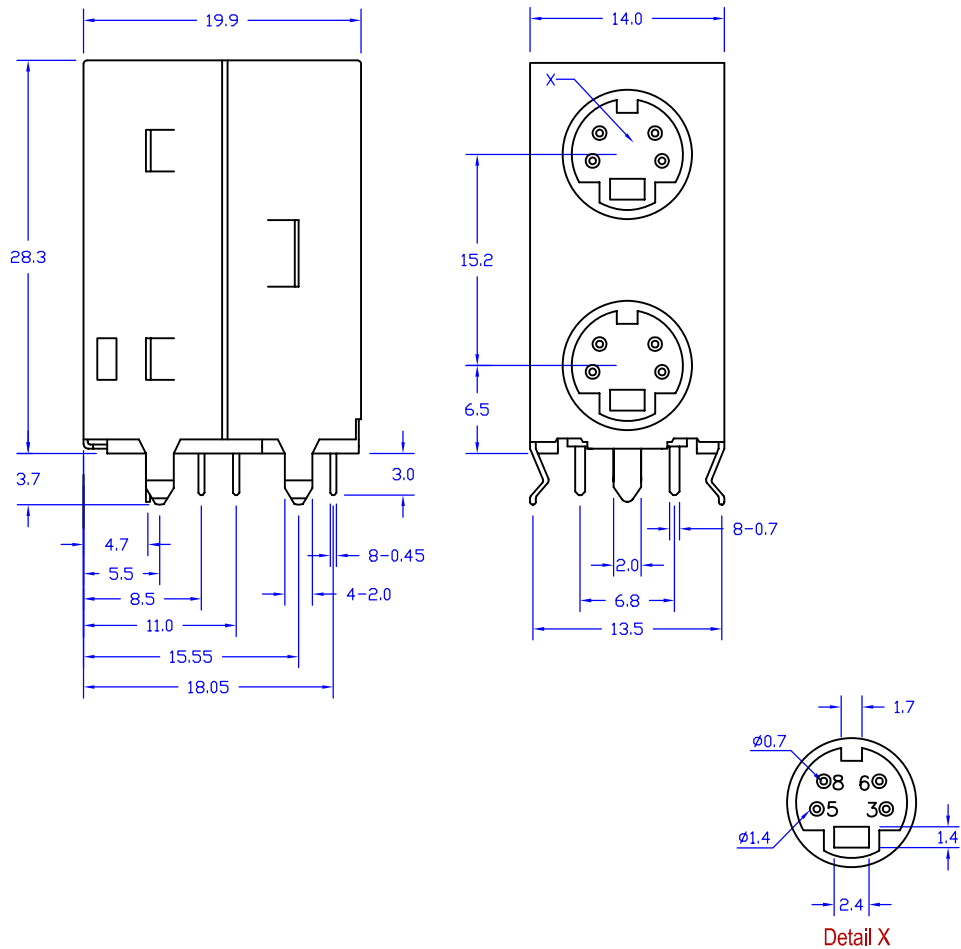
C

D

E

F

| Rev. | Description | Date       | Drawn by | Checked by | Approved by |
|------|-------------|------------|----------|------------|-------------|
| A    | New Drawing | 2006/12/27 | Michael  | Gavin      | Stephen     |
|      |             |            |          |            |             |
|      |             |            |          |            |             |



**NOTE:**

**Material and Finish:**

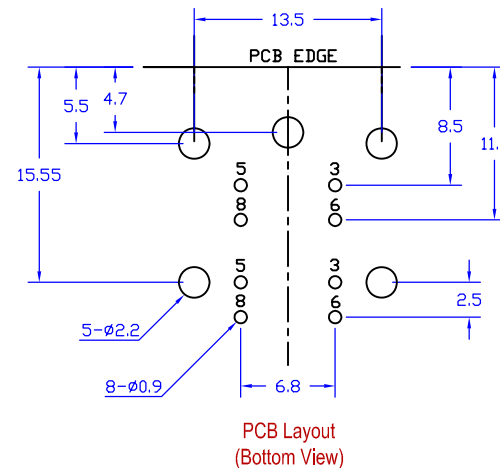
1. Housing: PBT (UL94V-0), Black.
2. Terminal: Phosphor Bronze, Gold Plating on Contact Area, Tin Plating on Solder Tail.
3. Shield: Brass, Tin Plating.

**Electrical Characteristics:**

1. Current Rating: 1.0 Amp. Max..
2. Dielectric Withstand Voltage: 500V AC RMS for 60Seconds.
3. Insulation Resistance: 500M Ohms Min. at 500V DC.
4. Contact Resistance: 30m Ohms Max..

**Mechanical Characteristics:**

1. Operating Temperature: -55°C ~ +105°C
2. Contact Us for Customization.



**Table 1**

| Part No.       | Dimensions |   |   |   |
|----------------|------------|---|---|---|
|                | Pos.       | A | B | C |
| AEMDXR07B-008F | 8          |   |   |   |

| Tolerance |            |
|-----------|------------|
| 0.0       | $\pm 0.30$ |
| 0.00      | $\pm 0.20$ |
| 0.000     | $\pm 0.10$ |

Drawn By  
**Michael**

Checked By  
**Gavin**

Approved By  
**Stephen**

**AECONN**

**Mini DIN Jack, DIP Right Angle, Dual Type, 8P**

AECONN Technology Corp.

**RoHS Compliant**

1

2

3

4

5

6

7

8

Drawing No. MD007-S-01  
Page 1/1