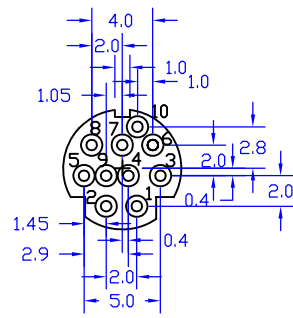
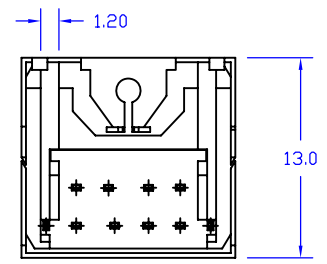
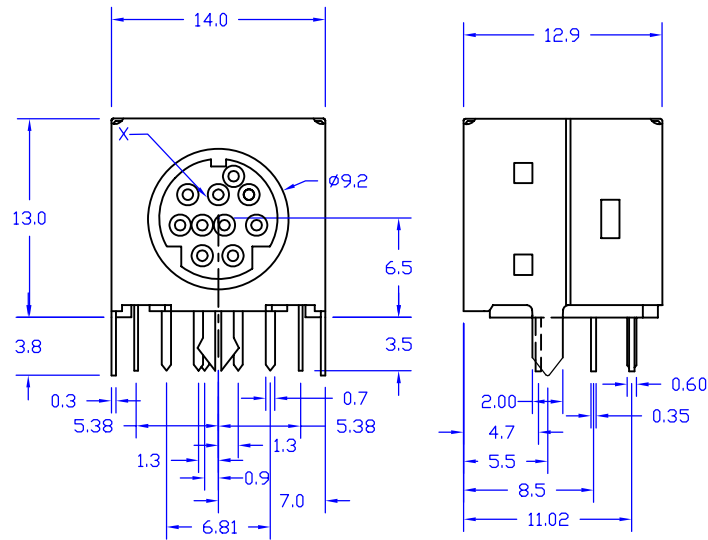


Rev.	Description	Date	Drawn by	Checked by	Approved by
A	New Drawing	2006/12/27	Michael	Gavin	Stephen



Detail X

NOTE:

Material and Finish:

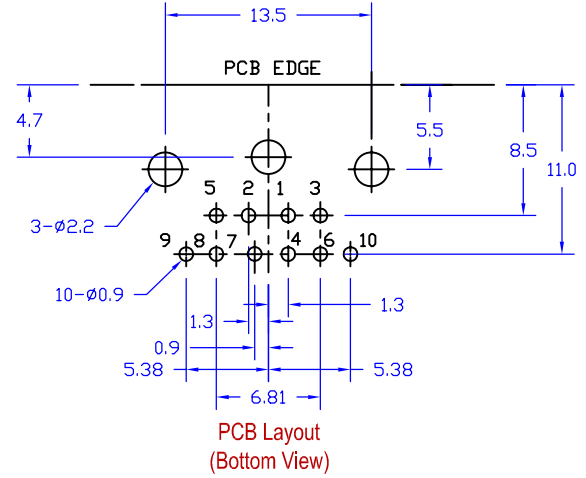
1. Housing: PBT (UL94V-0), Black.
2. Terminal: Phosphor Bronze, Gold Plating on Contact Area, Tin Plating on solder Tail.
3. Shield: Brass, Tin Plating.

Electrical Characteristics:

1. Current Rating: 1.0 Amp. Max..
2. Dielectric Withstand Voltage: 500V AC RMS for 60Seconds.
3. Insulation Resistance: 500M Ohms Min. at 500V DC.
4. Contact Resistance: 30m Ohms Max..

Mechanical Characteristics:

1. Operating Temperature: -55°C ~ +105°C
2. Contact Us for Customization.



PCB Layout (Bottom View)

Table 1

Part No.	Dimensions			
	Pos.	A	B	C
AEMDXR06B-010F	4			

Tolerance	Value
0.0	±0.30
0.00	±0.20
0.000	±0.10

Drawn By
Michael

Checked By
Gavin

Approved By
Stephen



Title
Mini DIN Jack, DIP Right Angle, 10P

AECONN Technology Corp.

