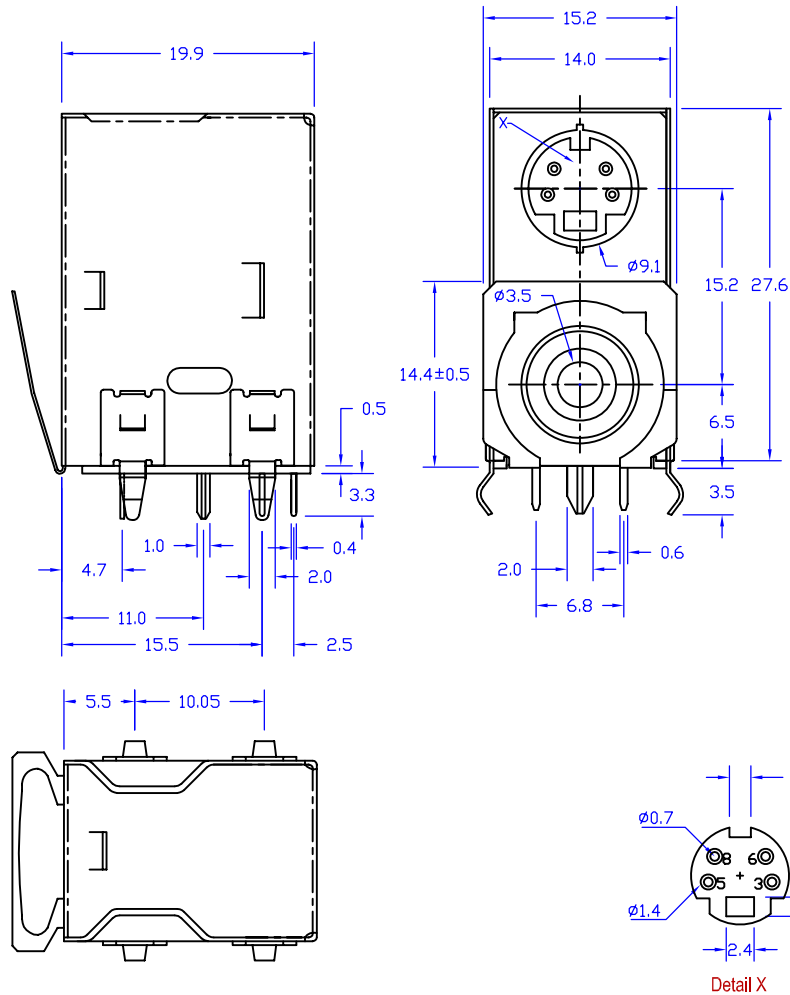


Rev.	Description	Date	Drawn by	Checked by	Approved by
A	New Drawing	2006/12/27	Michael	Gavin	Stephen



**NOTE:**

**Material and Finish:**

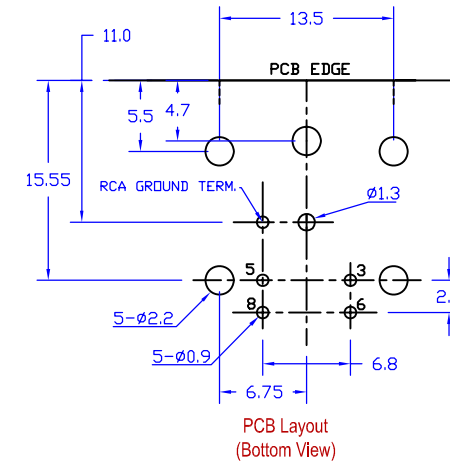
1. Housing: PBT (UL94V-0), Black.
2. Terminal: Phosphor Bronze, Gold Plating on Contact Area, Tin Plating on Solder Tail.
3. Shield: Brass, Nickel Plating.

**Electrical Characteristics:**

1. Current Rating: 1.0 Amp. Max..
2. Dielectric Withstand Voltage: 500V AC RMS for 60Seconds.
3. Insulation Resistance: 500M Ohms Min. at 500V DC.
4. Contact Resistance: 30m Ohms Max..

**Mechanical Characteristics:**

1. Operating Temperature: -55°C ~ +105°C
2. Contact Us for Customization.



**Table 1**

Part No.	Dimensions			
	Pos.	A	B	C
AEMDXR04B-004F	4			

Tolerance	0.0 ±0.30 0.00 ±0.20 0.000 ±0.10	Drawn By <b>Michael</b>	<b>AECONN</b>	
	Scale 1:1	Checked By <b>Gavin</b>		Title <b>Mini DIN+RCA Jack, DIP Right Angle, 4P</b>
		Approved By <b>Stephen</b>		

**RoHS Compliant**