

1

2

3

4

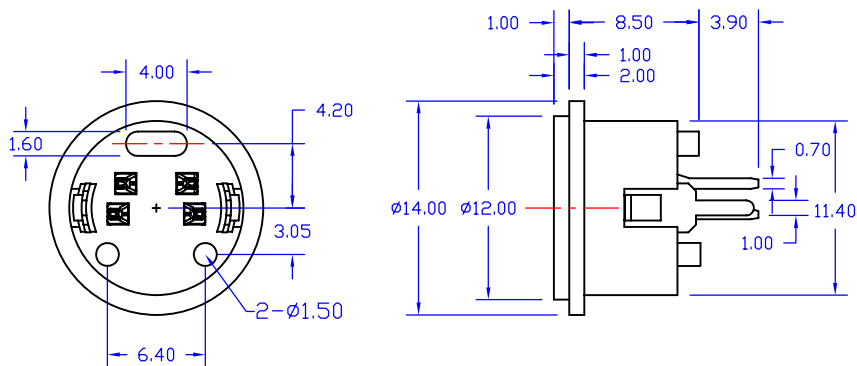
5

6

7

8

Rev.	Description	Date	Drawn by	Checked by	Approved by
A	New Drawing	2006/12/27	Michael	Gavin	Stephen



NOTE:

Material and Finish:

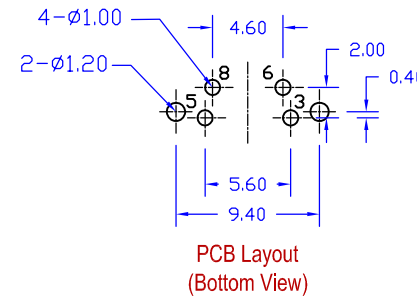
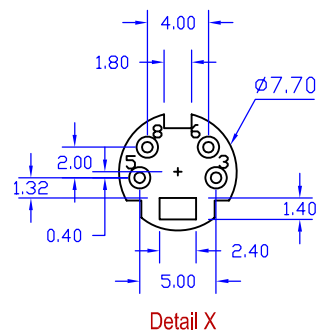
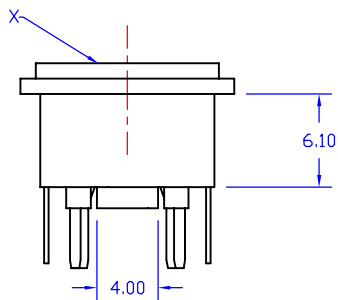
- 1. Housing: PBT (UL94V-0), Black.
- 2. Terminal: Phosphor Bronze, Silver Plating on Contact Area, Tin Plating on solder Tail.

Electrical Characteristics:

- 1. Current Rating: 1.0 Amp. Max..
- 2. Dielectric Withstand Voltage: 500V AC RMS for 60Seconds.
- 3. Insulation Resistance: 500M Ohms Min. at 500V DC.
- 4. Contact Resistance: 30m Ohms Max..

Mechanical Characteristics:

- 1. Operating Temperature: -55°C ~ +105°C
- 2. Contact Us for Customization.



PCB Layout (Bottom View)

Table 1

Part No.	Dimensions			
	Pos.	A	B	C
AEMDXV02H-004F	4			

Tolerance	0.0 ±0.30 0.00 ±0.20 0.000 ±0.10	Drawn By Michael	AECONN	
		Checked By Gavin		Title Mini DIN Jack, DIP Vertical, 4P
		Approved By Stephen		AECONN Technology Corp.
Scale 1:1	Unit mm			

RoHS Compliant

1

2

3

4

5

6

7

8

Drawing No. MD002-S-01
Page 1/1