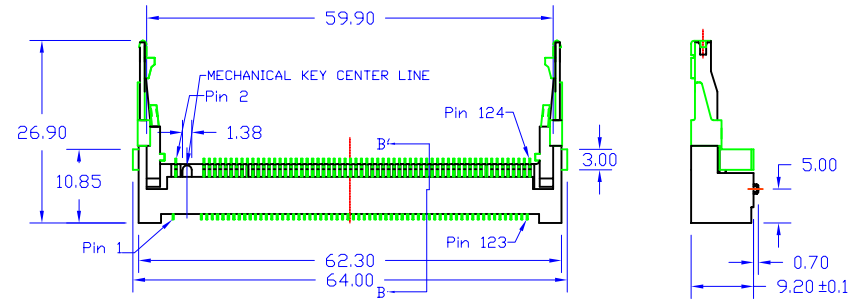
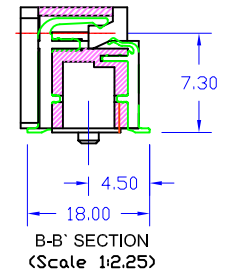
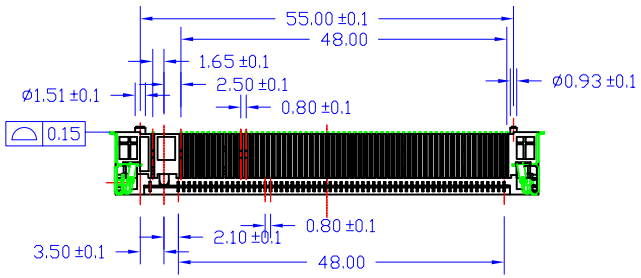
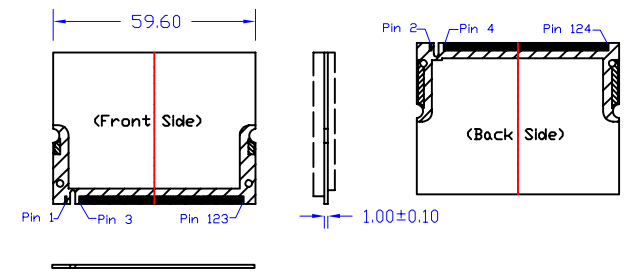
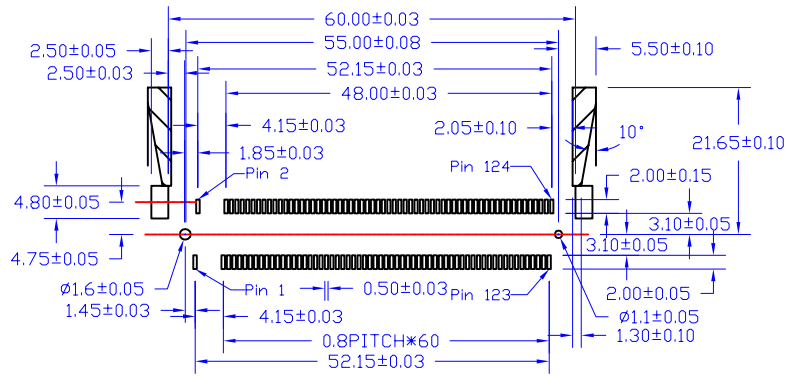


Rev.	Description	Date	Drawn by	Checked by	Approved by
A	New Drawing	2006/12/27	Michael	Gavin	Stephen



NOTE:
Material and Finish:
 1. Housing: LCP (UL94V-0), Black.
 2. Terminal: Copper Alloy, Gold Plating Over All.
Electrical Characteristics:
 1. Current Rating: 0.5 Amp. Max..
 2. Dielectric Withstand Voltage:
 250V AC RMS for 60Seconds.
 3. Insulation Resistance:
 500M Ohms Min. at 500V DC.
 4. Contact Resistance: 30m Ohms Max..
Mechanical Characteristics:
 1. Operating Temperature: -55°C ~ +85°C
 2. Contact Us for Customization.



PCB Layout
(Top View)

Table 1

Part No.	Dimensions			
H=9.2mm	Pos.	A	B	C
AEMC8S40A-A24L	124			

Recommended Module
Configuration
(Scale 2:1)



Tolerance	0.0 ±0.30 0.00 ±0.20 0.000 ±0.10	Drawn By Michael	AECONN
	Checked By Gavin	Title 0.80mm Pitch, Mini PCI Socket, Surface Mount Right Angle, 124P, Standoff:9.2mm	
	Approved By Stephen	AECONN Technology Corp.	
Scale	1:1	Unit	mm