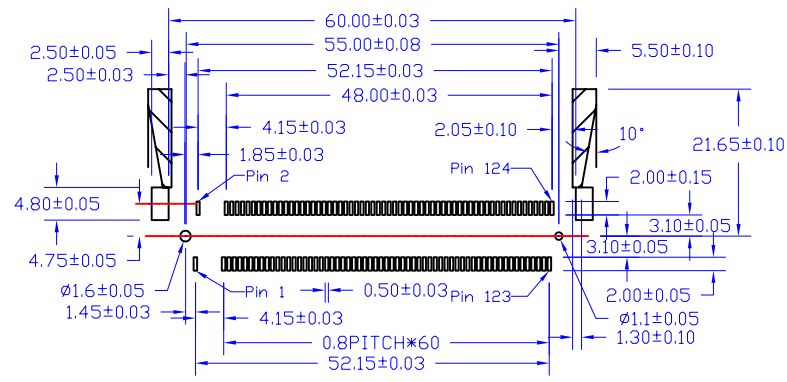
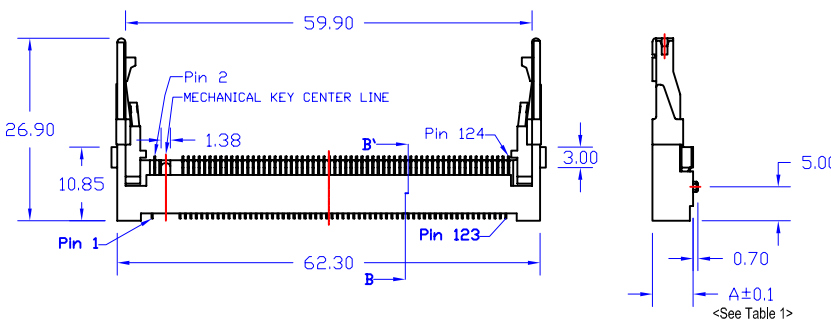
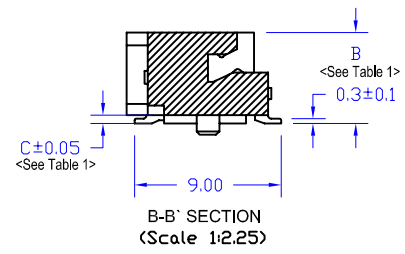
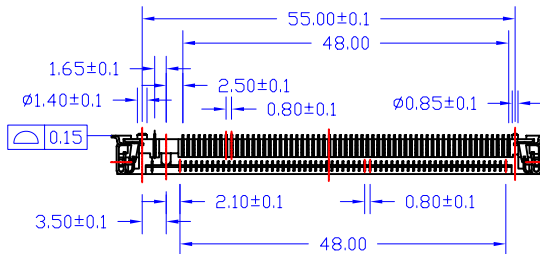


Rev.	Description	Date	Drawn by	Checked by	Approved by
A	New Drawing	2006/12/27	Michael	Gavin	Stephen



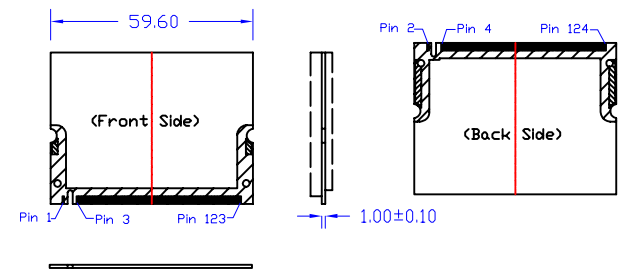
PCB Layout  
(Top View)

Table 1

Part No.	Dimensions			
	Pos.	A	B	C
AEMC8S37A-A24L	124	5.60	3.14	0.50

**NOTE:**

- Material and Finish:**  
1. Housing: LCP (UL94V-0), Black.  
2. Terminal: Copper Alloy, Gold Plating Over All.
- Electrical Characteristics:**  
1. Current Rating: 0.5 Amp. Max..  
2. Dielectric Withstand Voltage:  
250V AC RMS for 60Seconds.  
3. Insulation Resistance:  
500M Ohms Min. at 500V DC.  
4. Contact Resistance: 30m Ohms Max..
- Mechanical Characteristics:**  
1. Operating Temperature: -55°C ~ +85°C  
2. Contact Us for Customization.



Recommended Module  
Configuration  
(Scale 2:1)



Tolerance	0.0 ±0.30 0.00 ±0.20 0.000 ±0.10	Drawn By <b>Michael</b>	<b>AECONN</b>	
		Checked By <b>Gavin</b>		Title <b>0.80mm Pitch, Mini PCI Socket, Surface Mount Right Angle, 124P, Standoff:5.6mm</b>
		Approved By <b>Stephen</b>		AECONN Technology Corp.
Scale	1:1	Unit	mm	