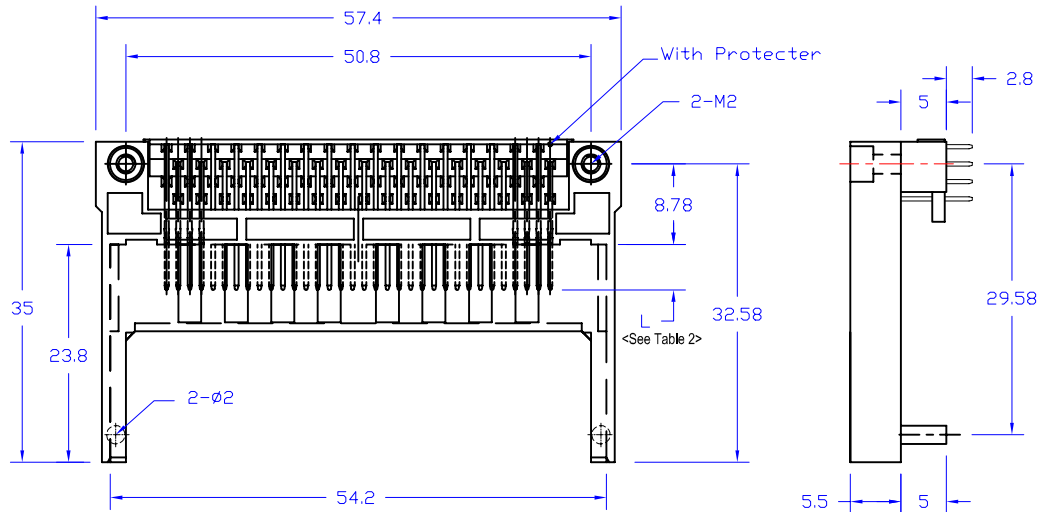


Rev.	Description	Date	Drawn by	Checked by	Approved by
A	New Drawing	2006/12/26	Michael	Gavin	Stephen



NOTE:

Material and Finish:

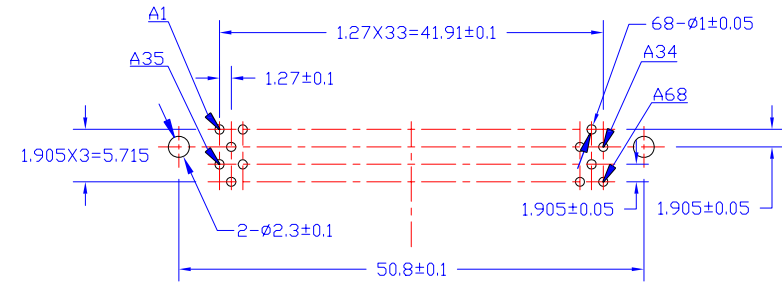
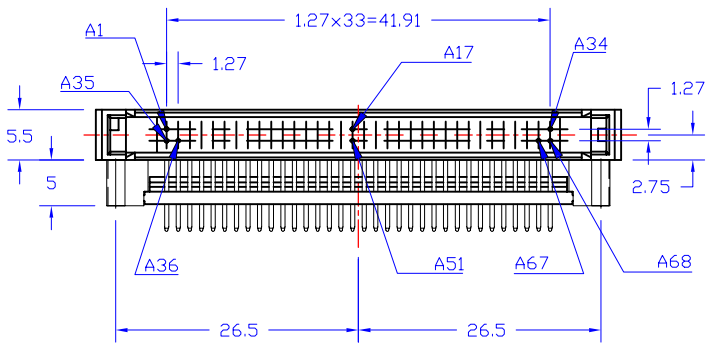
1. Housing: PBT (UL94V-0), Black.
2. Terminal: Copper Alloy, Gold Plating on Contact Area, Tin Plating on Solder Tail.

Electrical Characteristics:

1. Current Rating: 0.5 Amp. Max..
2. Dielectric Withstand Voltage: 500V AC RMS for 60Seconds.
3. Insulation Resistance: 1000M Ohms Min. at 500V DC.
4. Contact Resistance: 40m Ohms Max..

Mechanical Characteristics:

1. Operating Temperature: -20°C ~ +60°C
2. Contact Us for Customization.



MATING SIDE

PCB Layout
(Top View)

Table 1

Part No.	Dimensions			
	Pos.	A	B	C
AEMCBR27B-068F	68			

Table 2

Part No. for L	
Pin Number	Dimensions
36,67	3.5mm
All Other Pins	4.25mm
1,17,34,35,51,68	5.00mm

Tolerance	
0.0	±0.30
0.00	±0.20
0.000	±0.10



Scale	Unit
1:1	mm

Drawn By	Michael
Checked By	Gavin
Approved By	Stephen

AECOMM

Title
1.27mm Pitch, PCMCIA Card, DIP Right Angle, 68P, Standoff:5.0mm

AECOMM Technology Corp.

RoHS Compliant

Drawing No. MC027-S-01
Page 1/1