

1

2

3

4

5

6

7

8

Rev.	Description	Date	Drawn by	Checked by	Approved by
A	New Drawing	2006/12/25	Michael	Gavin	Stephen

A

A

NOTE:
Material and Finish:
 1. Housing: LCP (UL94V-0), Black.
 2. Terminal: Copper Alloy, Gold Plating on Contact Area, Tin Plating on solder Tail.
 3. Shield: Stainless Steel.
Electrical Characteristics:
 1. Current Rating: 0.5 Amp. Max..
 2. Dielectric Withstand Voltage: 500V AC RMS for 60Seconds,
 3. Insulation Resistance: 100M Ohms Min. at 500V DC.
 4. Contact Resistance: 100m Ohms Max..
Mechanical Characteristics:
 1. Operating Temperature: -25°C ~ +60°C
 2. Contact Us for Customization.

B

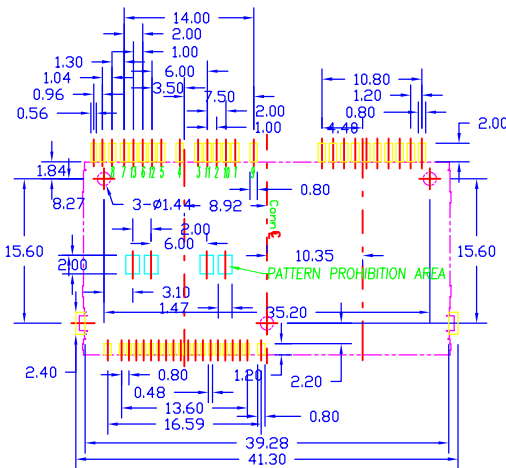
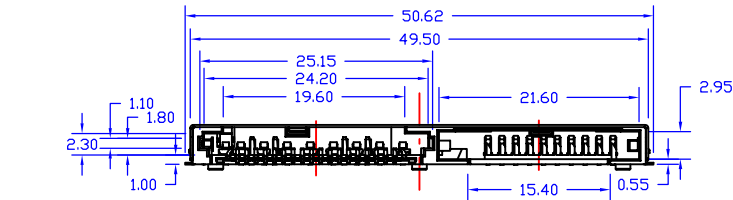
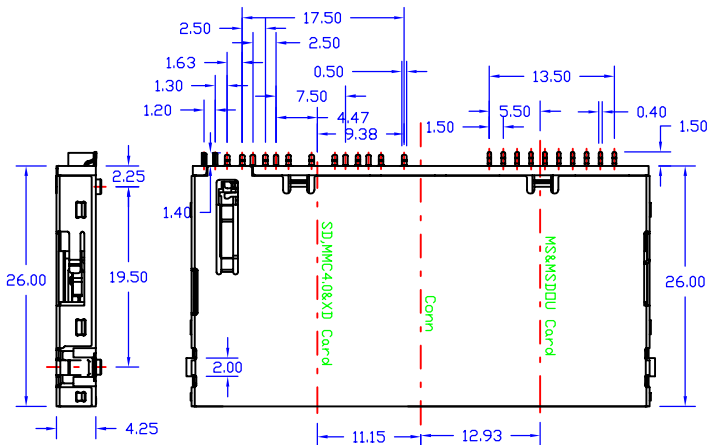
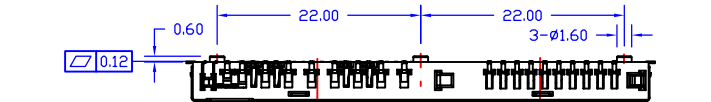
B

Table 1

Part No.	Dimensions			
H=4.25mm	Pos.	A	B	C
AEMCHS24B-043L	39			

Table 2

SD CARD				MS CARD	
Pin No.	Name	Description	Pin No.	Name	
1#	CD/DAT3	Card detect/Data I/O	1#	VSS	
2#	CMD	Command	2#	BS	
3#	VSS1	Ground	3#	VCC	
4#	VDD	Power	4#	DIO	
5#	CLK	Clock	5#	REVERSE	
6#	VSS2	Ground	6#	INS	
7#	DAT0	Data I/O	7#	REVERSE	
8#	DAT1	Data I/O	8#	SCLK	
9#	DAT2	Data I/O	9#	VCC	
			10#	VSS	
XD CARD				MMC4.0	
Pin No.	Name	Pin No.	Name	Pin No.	Name
1#	CD	11#	D1	10#	DAT4
2#	R/B	12#	D2	11#	DAT5
3#	/RE	13#	D3	12#	DAT6
4#	/CE	14#	D4	13#	DAT7
5#	CLE	15#	D5		
6#	ALE	16#	D6		
7#	/WE	17#	D7		
8#	/MP	18#	VCC		
9#	GND	19#	GND		
10#	DO	20#	VCC		



PCB Layout (Top View) (Scale 1:25:1)

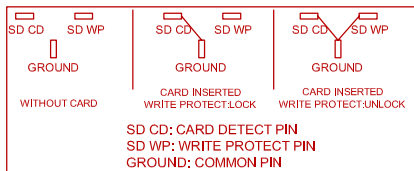
D

D

E

E

SD CARD CIRCUIT



Tolerance	
0.0	±0.38
0.00	±0.25
0.000	±0.10

Drawn By
Michael

Checked By
Gavin

Approved By
Stephen

AECONN

Title
1.50mm Pitch, MS+SD+MMC+XD+MS+MS DUO+MS PRODUO 7 in 1 Card, Surface Mount, 43P, With Cover

AECONN Technology Corp.



Drawing No. MCO24-S-01
 Page 1/1

1

2

3

4

5

6

7

8

F

F