

1

2

3

4

5

6

7

8

Rev.	Description	Date	Drawn by	Checked by	Approved by
A	New Drawing	2006/12/25	Michael	Gavin	Stephen

A

A

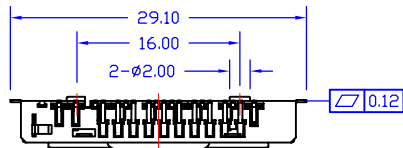


Table 1

Part No.	Dimensions				
	H=4.6mm	Pos.	A	B	C
AEMCHS22B-019L	19				

**NOTE:**

**Material and Finish:**

- Housing: LCP (UL94V-0), Black.
- Terminal: Copper Alloy, Gold Plating on Contact Area, Tin Plating on solder Tail.
- Shield: Copper Alloy.

**Electrical Characteristics:**

- Current Rating: 0.5 Amp. Max..
- Dielectric Withstand Voltage: 500V AC RMS for 60Seconds.
- Insulation Resistance: 100M Ohms Min. at 500V DC.
- Contact Resistance: 80m Ohms Max..

**Mechanical Characteristics:**

- Operating Temperature: -25°C ~ +90°C
- Contact Us for Customization.

B

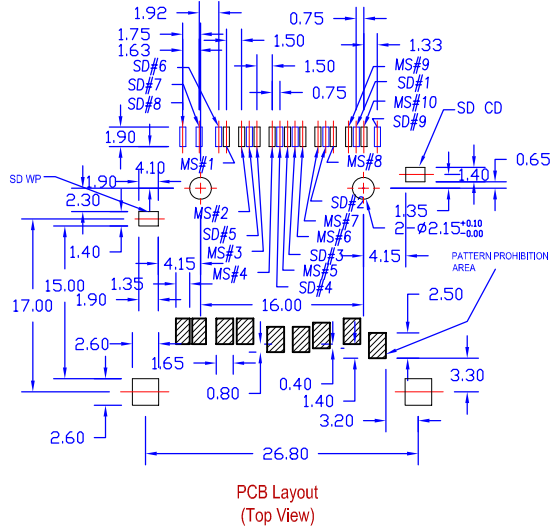
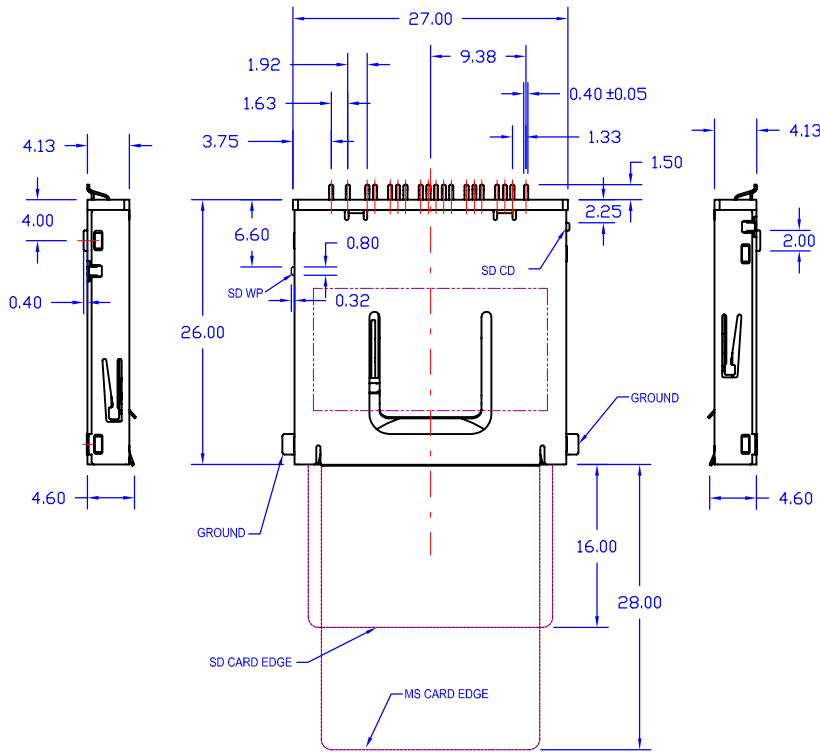
B

Table 2

SD CARD			MS CARD	
Pin No.	Name	Description	Pin No.	Name
1#	CD/DAT3	Card detect/Data I/O	1#	VSS
2#	CMD	Command	2#	BS
3#	VSS1	Ground	3#	VCC
4#	VDD	Power	4#	DIO
5#	CLK	Clock	5#	REVERSE
6#	VSS2	Ground	6#	INS
7#	DAT0	Data I/O	7#	REVERSE
8#	DAT1	Data I/O	8#	SCLK
9#	DAT2	Data I/O	9#	VCC
			10#	VSS

C

C

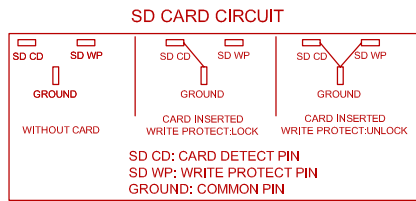
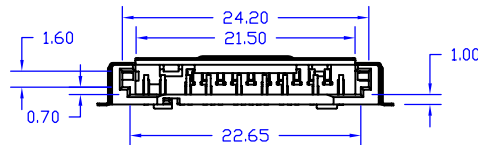


D

D

E

E



Tolerance 0.0 ±0.38 0.00 ±0.25 0.000 ±0.10	Drawn By <b>Michael</b>
	Checked By <b>Gavin</b>
	Approved By <b>Stephen</b>
Scale 1:1	Unit mm

**AECONN**

Title  
**1.50mm Pitch, MS+SD+MMC 3 in 1 Card, Surface Mount, 19P, With Cover**

AECNN Technology Corp.



1

2

3

4

5

6

7

8

F

F