

1

2

3

4

5

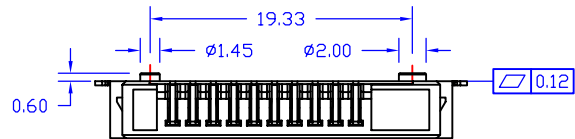
6

7

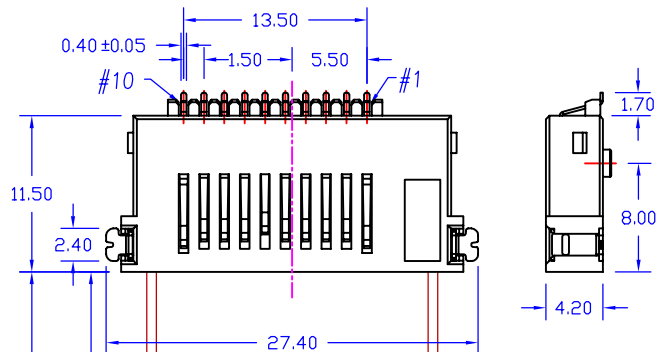
8

Rev.	Description	Date	Drawn by	Checked by	Approved by
A	New Drawing	2006/12/25	Michael	Gavin	Stephen

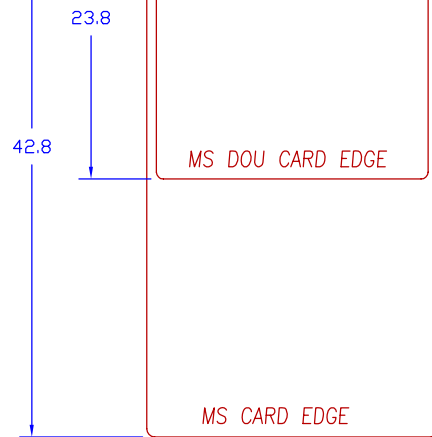
A



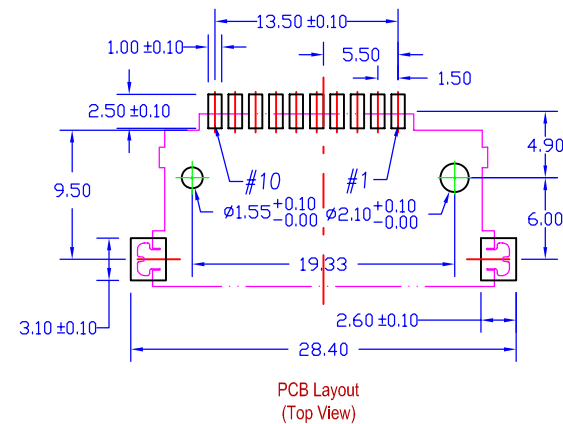
B



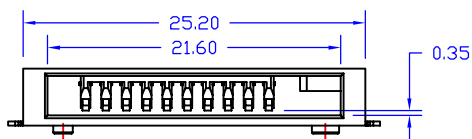
C



D



E



F

Table 1

Part No.	Dimensions			
	Pos.	A	B	C
AEMCHS21B-010L	10			

Table 2

Pin No.	Name
1#	VSS
2#	BS
3#	VCC
4#	DIO
5#	REVERSE
6#	INS
7#	REVERSE
8#	SCLK
9#	VCC
10#	VSS

NOTE:

Material and Finish:

- Housing: LCP (UL94V-0), White.
- Terminal: Copper Alloy, Gold Plating on Contact Area, Tin Plating on solder Tail.

Electrical Characteristics:

- Current Rating: 0.5 Amp. Max..
- Dielectric Withstand Voltage: 500V AC RMS for 60Seconds.
- Insulation Resistance: 100M Ohms Min. at 500V DC.
- Contact Resistance: 40m Ohms Max..

Mechanical Characteristics:

- Operating Temperature: -55°C ~ +85°C
- Contact Us for Customization.

RoHS Compliant

1

2

3

4

5

6

7

8

Tolerance 0.0 ±0.38 0.00 ±0.25 0.000 ±0.10	Drawn By Michael		
	Checked By Gavin		Title 1.50mm Pitch, Memory Stick 2 in 1 Card, Surface Mount, 10P, Reverse Type, Without Cover
	Approved By Stephen		AECOMM Technology Corp.

Drawing No. MC021-S-01
Page 1/1