

1

2

3

4

5

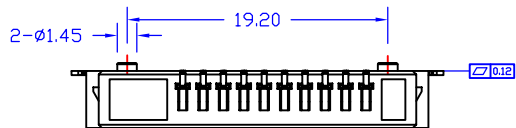
6

7

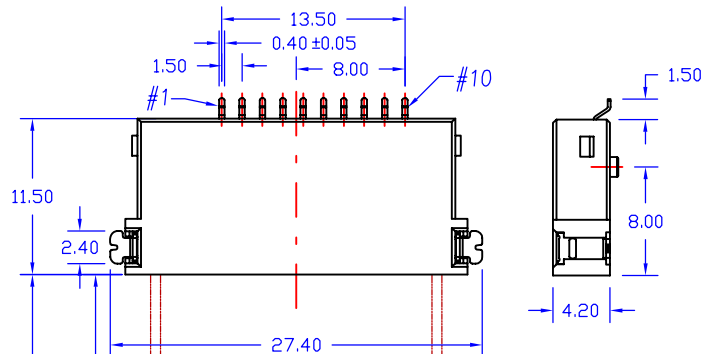
8

| Rev. | Description | Date | Drawn by | Checked by | Approved by |
|------|-------------|------------|----------|------------|-------------|
| A | New Drawing | 2006/12/25 | Michael | Gavin | Stephen |
| | | | | | |
| | | | | | |

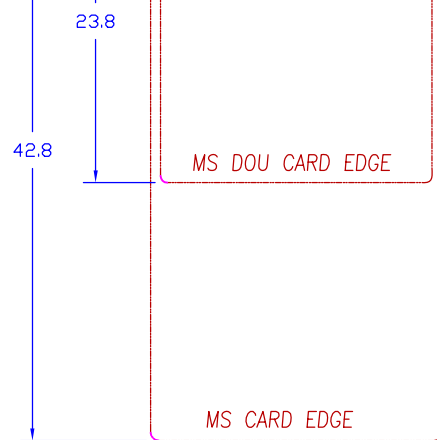
A



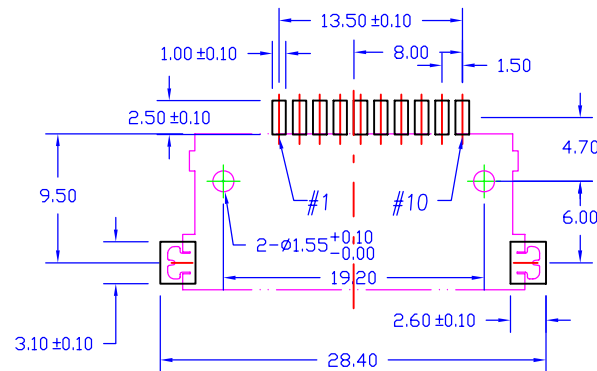
B



C

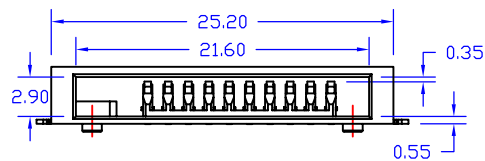


D



PCB Layout (Top View)

E



F

Table 1

| Part No. | Dimensions | | | |
|----------------|------------|---|---|---|
| | Pos. | A | B | C |
| AEMCHS20B-010L | 10 | | | |

Table 2

| Pin No. | Name |
|---------|---------|
| 1# | VSS |
| 2# | BS |
| 3# | VCC |
| 4# | DIO |
| 5# | REVERSE |
| 6# | INS |
| 7# | REVERSE |
| 8# | SCLK |
| 9# | VCC |
| 10# | VSS |

NOTE:

Material and Finish:

1. Housing: LCP (UL94V-0), White.
2. Terminal: Copper Alloy, Gold Plating on Contact Area, Tin Plating on solder Tail.

Electrical Characteristics:

1. Current Rating: 0.5 Amp. Max..
2. Dielectric Withstand Voltage: 500V AC RMS for 60Seconds.
3. Insulation Resistance: 100M Ohms Min. at 500V DC.
4. Contact Resistance: 40m Ohms Max..

Mechanical Characteristics:

1. Operating Temperature: -55°C ~ +85°C
2. Contact Us for Customization.

RoHS Compliant

1

2

3

4

5

6

7

8

| Tolerance | |
|-----------|-------|
| 0.0 | ±0.38 |
| 0.00 | ±0.25 |
| 0.000 | ±0.10 |

Drawn By
Michael

Checked By
Gavin

Approved By
Stephen

AECONN

Title
1.50mm Pitch, Memory Stick 2 in 1 Card, Surface Mount, 10P, Normal Type, Without Cover

AECONN Technology Corp.

Drawing No. MC020-S-01
Page 1/1

F