

1

2

3

4

5

6

7

8

Rev.	Description	Date	Drawn by	Checked by	Approved by
A	New Drawing	2006/12/25	Michael	Gavin	Stephen

A

A

Table 1

Part No.	Dimensions			
H=1.93mm	Pos.	A	B	C
AEMCAS18B-008L	8			

Table 2

Pin No.	Name
1#	DAT2
2#	CD/DAT3
3#	CMD
4#	VDD
5#	CLK
6#	VSS
7#	DAT0
8#	DAT1

**NOTE:**

**Material and Finish:**

- Housing: LCP (UL94V-0), Black.
- Terminal: Phosphor Bronze, Gold Plating on Contact Area, Tin Plating on solder Tail.
- Shield: Stainless Steel.

**Electrical Characteristics:**

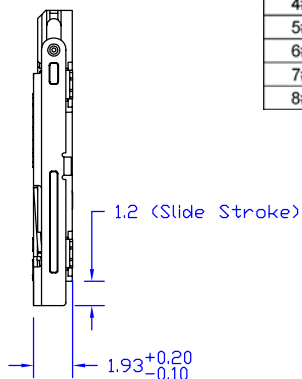
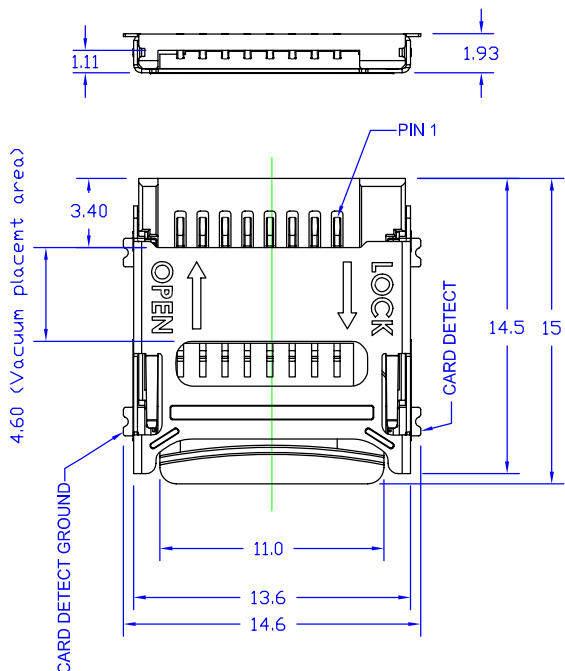
- Current Rating: 0.5 Amp. Max..
- Dielectric Withstand Voltage: 500V AC RMS for 60Seconds.
- Insulation Resistance: 1000M Ohms Min. at 500V DC.
- Contact Resistance: 100m Ohms Max..

**Mechanical Characteristics:**

- Operating Temperature: -25°C ~ +85°C
- Contact Us for Customization.

B

B



C

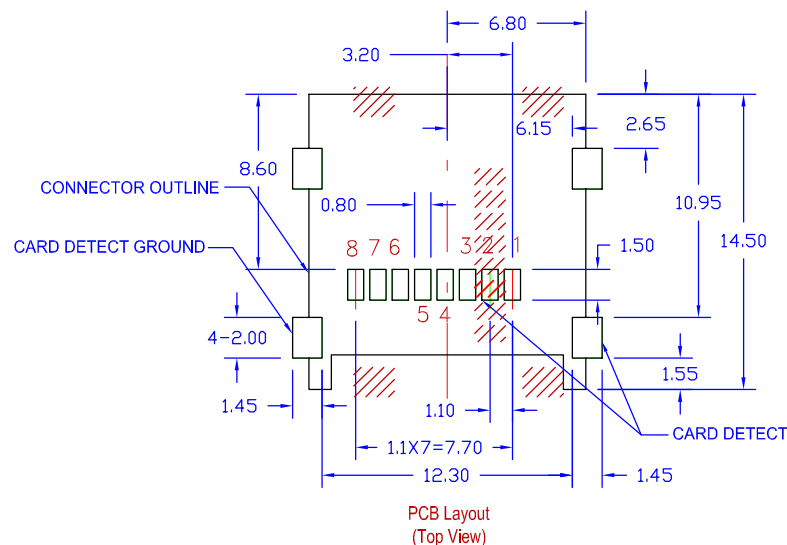
C

D

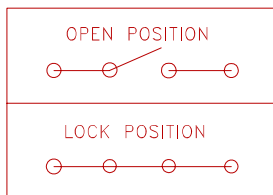
D

E

E



PCB Layout (Top View)



CIRCUIT SCHEMATIC

Tolerance 0. ±0.50 0.0 ±0.30 0.00 ±0.20	Drawn By <b>Michael</b>		
	Checked By <b>Gavin</b>		Title <b>1.10mm Pitch, Micro SD Card, Surface Mount, 8P, Hinge Normal Type, H:0.0</b>
	Approved By <b>Stephen</b>		AECOMM Technology Corp.
Scale 1:1	Unit mm	Drawing No. MC018-S-01 Page 1/1	

RoHS Compliant

1

2

3

4

5

6

7

8

F

1/1