

| Rev. | Description | Date       | Drawn by | Checked by | Approved by |
|------|-------------|------------|----------|------------|-------------|
| A    | New Drawing | 2006/12/24 | Michael  | Gavin      | Stephen     |
|      |             |            |          |            |             |
|      |             |            |          |            |             |

**Table 1**

| Part No.       | Dimensions |   |   |   |
|----------------|------------|---|---|---|
| H=3.0mm        | Pos.       | A | B | C |
| AEMCGS16B-011L | 11         |   |   |   |

**Table 2**

| Pin No. | Name    | Description          |
|---------|---------|----------------------|
| 1#      | CD/DAT3 | Card detect/Data I/O |
| 2#      | CMD     | Command              |
| 3#      | VSS1    | Ground               |
| 4#      | VDD     | Power                |
| 5#      | CLK     | Clock                |
| 6#      | VSS2    | Ground               |
| 7#      | DAT0    | Data I/O             |
| 8#      | DAT1    | Data I/O             |
| 9#      | DAT2    | Data I/O             |

**NOTE:**

**Material and Finish:**

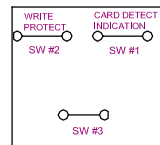
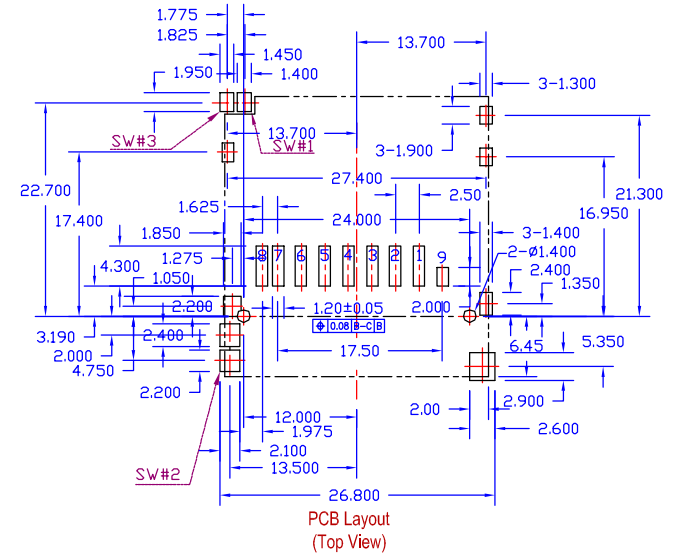
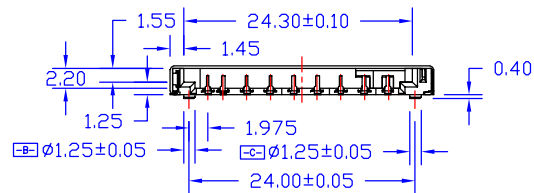
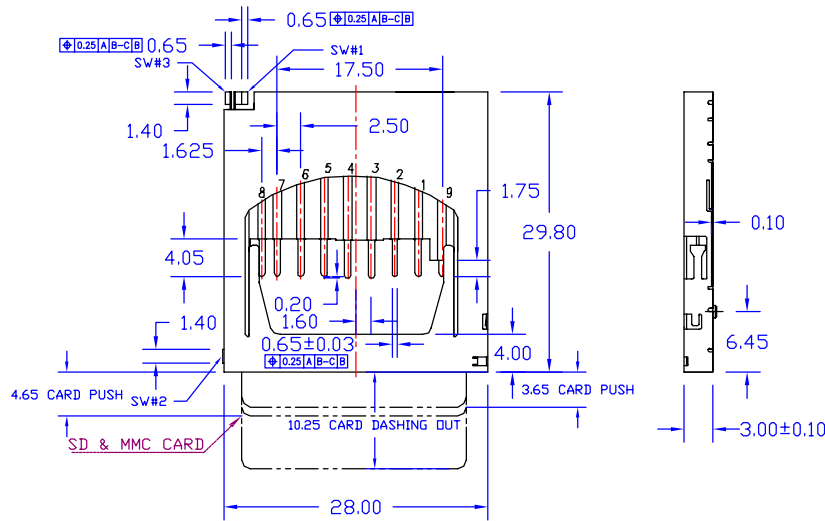
- Housing: Hi. Temp. Plastic (UL94V-0), Black.
- Terminal: Copper Alloy, Gold Plating on Contact Area, Tin Plating on solder Tail.
- Shield: Copper Alloy, Gold Plating Over All.

**Electrical Characteristics:**

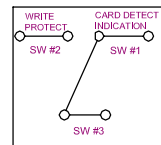
- Current Rating: 0.5 Amp. Max..
- Dielectric Withstand Voltage: 500V AC RMS for 60Seconds.
- Insulation Resistance: 100M Ohms Min. at 500V DC.
- Contact Resistance: 100m Ohms Max..

**Mechanical Characteristics:**

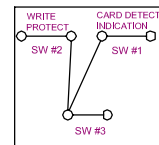
- Operating Temperature: -25°C ~ +90°C
- Contact Us for Customization.



WITHOUT CARD



CARD INSERTED  
WRITE PROTECT:LOCK



CARD INSERTED  
WRITE PROTECT:UNLOCK

| Tolerance |       |
|-----------|-------|
| 0.0       | ±0.30 |
| 0.00      | ±0.20 |
| 0.000     | ±0.05 |

Drawn By  
**Michael**

Checked By  
**Gavin**

Approved By  
**Stephen**

**AECONN**

Title  
**2.50mm Pitch, SD Card, Surface Mount,  
11P, Push Push Type, With Cover**

AECONN Technology Corp.

Scale  
1:1

Unit  
mm

Drawing No. MCD16-S-01  
Page 1/1

**RoHS Compliant**