

1

2

3

4

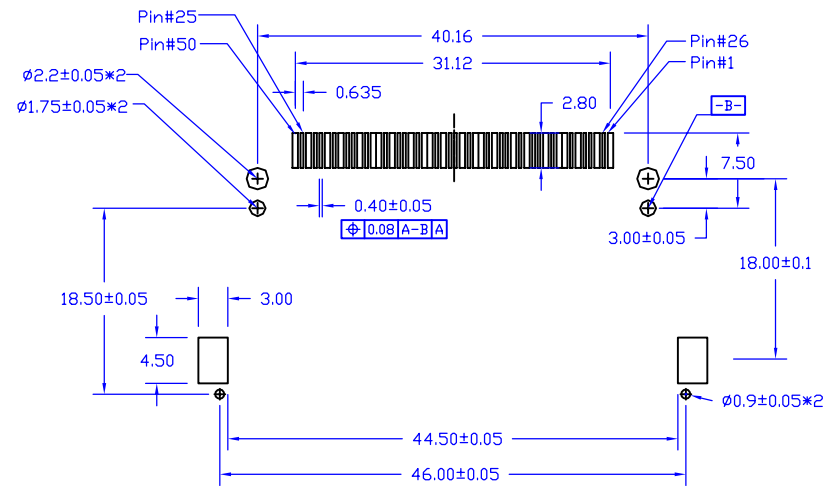
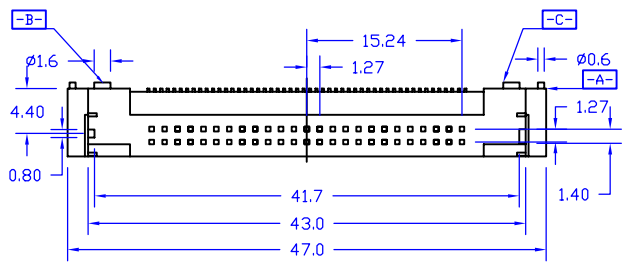
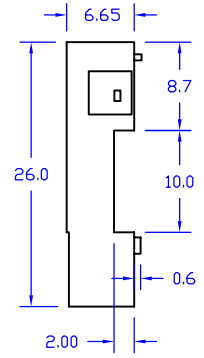
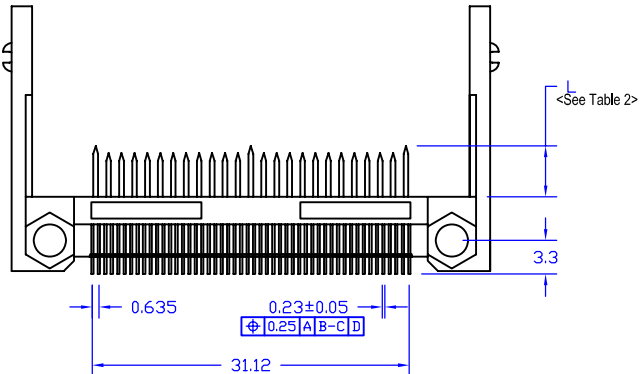
5

6

7

8

Rev.	Description	Date	Drawn by	Checked by	Approved by
A	New Drawing	2006/12/24	Michael	Gavin	Stephen



PCB Layout
(Top View)

NOTE:

- Material and Finish:**
1. Housing: Hi. Temp. Plastic (UL94V-0), White.
 2. Terminal: Copper Alloy, Gold Plating on Contact Area, Tin Plating on solder Tail.
 3. Solder Tab: Copper Alloy, Tin Plating.

Electrical Characteristics:

1. Current Rating: 0.5 Amp. Max..
2. Dielectric Withstand Voltage: 500V AC RMS for 60Seconds.
3. Insulation Resistance: 1000M Ohms Min. at 500V DC.
4. Contact Resistance: 40m Ohms Max..

Mechanical Characteristics:

1. Operating Temperature: -40°C ~ +85°C
2. Contact Us for Customization.

Table 1

Part No.	Dimensions			
	Pos.	A	B	C
H=6.65mm AEMCBS09B-050L	50			

Table 2

Part No. for L	
Pin Number	Dimensions
25,26	3.5mm
All Other Pins	4.25mm
1,13,38,50	5.00mm



Tolerance 0.0 ±0.30 0.00 ±0.20 0.000 ±0.10	Drawn By Michael		
	Checked By Gavin		Title 1.27mm Pitch, CF Card, Surface Mount, 50P, Reverse Type, Standoff:2.0mm
	Approved By Stephen		AECOM Technology Corp.
Scale 1:1	Unit mm	Drawing No. MC009-S-01 Page 1/1	

1

2

3

4

5

6

7

8