

1

2

3

4

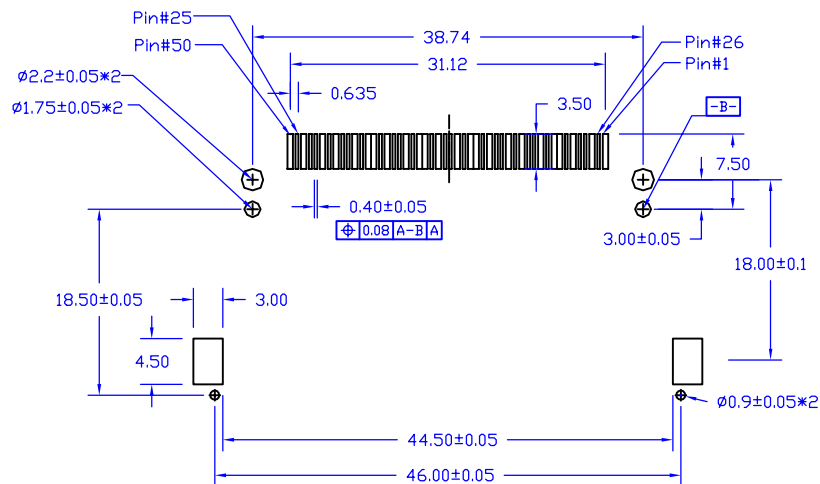
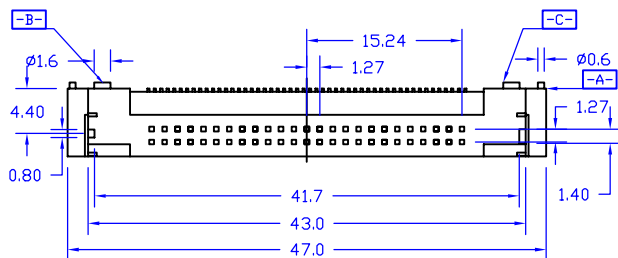
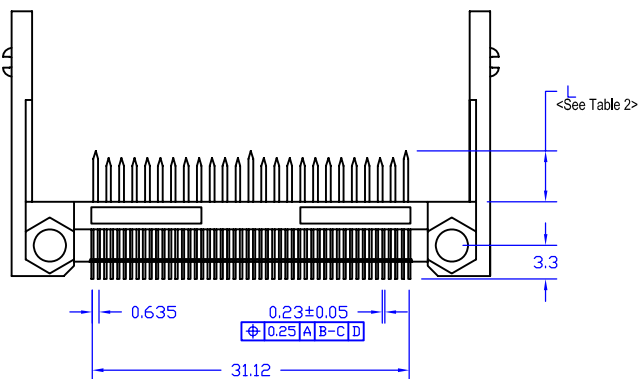
5

6

7

8

Rev.	Description	Date	Drawn by	Checked by	Approved by
A	New Drawing	2006/12/24	Michael	Gavin	Stephen



PCB Layout  
(Top View)

**NOTE:**

**Material and Finish:**

1. Housing: Hi. Temp. Plastic (UL94V-0), White.
2. Terminal: Copper Alloy, Gold Plating on Contact Area, Tin Plating on solder Tail.
3. Solder Tab: Copper Alloy, Tin Plating.

**Electrical Characteristics:**

1. Current Rating: 0.5 Amp. Max..
2. Dielectric Withstand Voltage: 500V AC RMS for 60Seconds.
3. Insulation Resistance: 1000M Ohms Min. at 500V DC.
4. Contact Resistance: 40m Ohms Max..

**Mechanical Characteristics:**

1. Operating Temperature: -40°C ~ +85°C
2. Contact Us for Customization.

**Table 1**

Part No.	Dimensions			
	Pos.	A	B	C
H=6.65mm	50			
AEMCBS08B-050L				

**Table 2**

Part No. for L	
Pin Number	Dimensions
25,26	3.5mm
All Other Pins	4.25mm
1,13,38,50	5.00mm

Tolerance	
0.0	±0.30
0.00	±0.20
0.000	±0.10

Drawn By  
**Michael**

Checked By  
**Gavin**

Approved By  
**Stephen**



Scale  
1 : 1

Unit  
mm

**AECONN**

Title  
**1.27mm Pitch, CF Card, Surface Mount,  
50P, Reverse Type, Standoff:2.0mm**

AECONN Technology Corp.

**RoHS Compliant**

Drawing No. MC008-S-01  
Page 1/1

1

2

3

4

5

6

7

8