

1

2

3

4

5

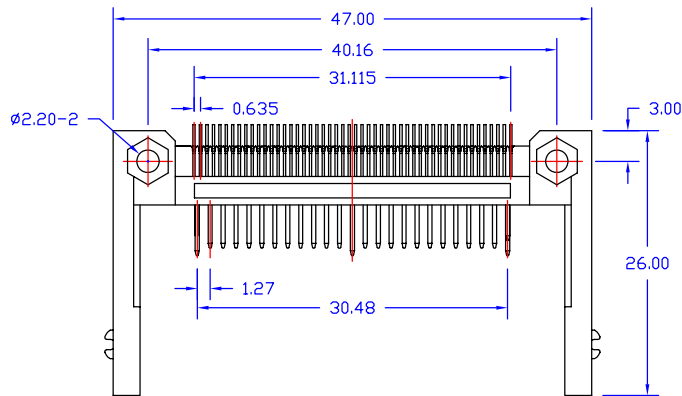
6

7

8

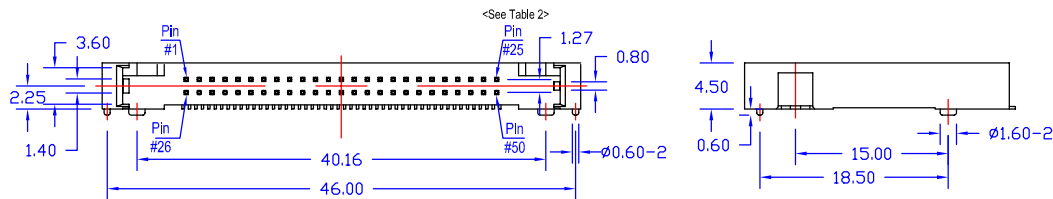
Rev.	Description	Date	Drawn by	Checked by	Approved by
A	New Drawing	2006/10/18	Michael	Gavin	Stephen

A

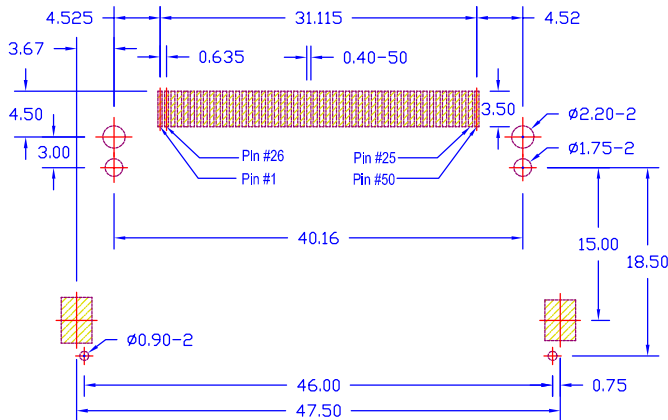


B

C



D



PCB Layout (Top View)

**NOTE:**

**Material and Finish:**

- 1. Housing: Hi. Temp. Plastic (UL94V-0), White.
- 2. Terminal: Copper Alloy, Gold Plating on Contact Area, Tin Plating on solder Tail.
- 3. Solder Tab: Copper Alloy, Tin Plating.

**Electrical Characteristics:**

- 1. Current Rating: 0.5 Amp. Max..
- 2. Dielectric Withstand Voltage: 500V AC RMS for 60Seconds.
- 3. Insulation Resistance: 1000M Ohms Min. at 500V DC.
- 4. Contact Resistance: 40m Ohms Max..

**Mechanical Characteristics:**

- 1. Operating Temperature: -40°C ~ +85°C
- 2. Contact Us for Customization.

**Table 1**

Part No.	Dimensions		
	H=4.5mm	Pos.	A B C
AEMCBS04B-050L	50		

**Table 2**

Part No.	
Pin Number	Dimensions
25,26	3.5mm
All Other Pins	4.25mm
1,13,38,50	5.00mm

A

B

C

D

E

F



1

2

3

4

5

6

7

8

Tolerance 0.0 ±0.30 0.00 ±0.20 0.000 ±0.10	Drawn By <b>Michael</b>		
	Checked By <b>Gavin</b>		Title <b>1.27mm Pitch, CF Card, Surface Mount, 50P, Normal Type, Standoff:0.0mm</b>
	Approved By <b>Stephen</b>		AECOM Technology Corp.
Scale 1 : 1	Unit mm	Drawing No. MC004-S-01 Page 1/1	

1

2

3

4

5

6

7

8