

1

2

3

4

5

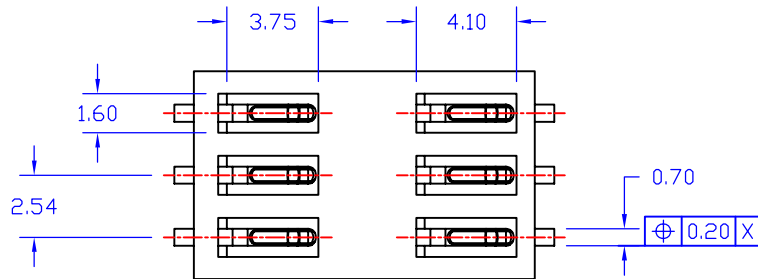
6

7

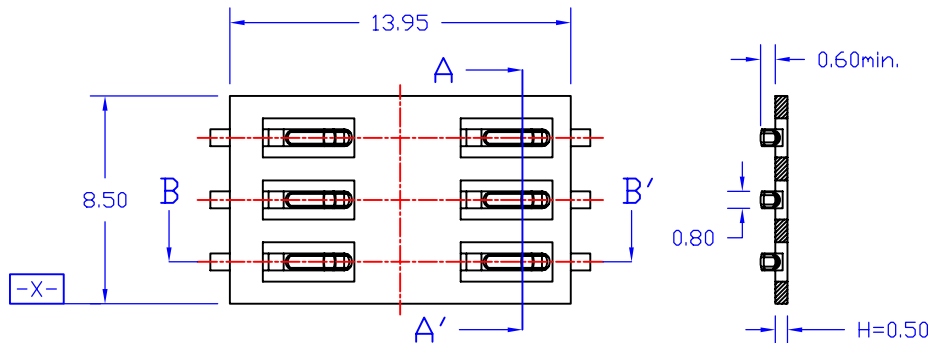
8

Rev.	Description	Date	Drawn by	Checked by	Approved by
A	New Drawing	2006/11/21	Michael	Gavin	Stephen

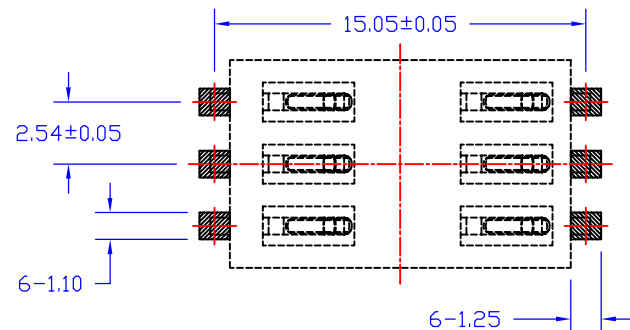
A



B



C



D

PCB Layout (Top View)

E

F

NOTE:

Material and Finish:

- 1. Housing: LCP (UL94V-0), Black.
- 2. Terminal: Beryllium, Gold Plating Over All.

Electrical Characteristics:

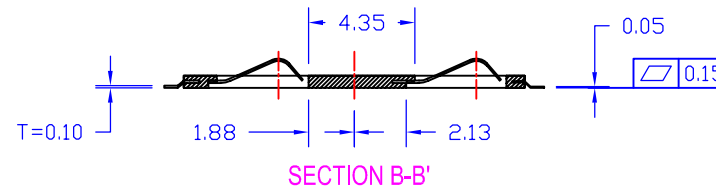
- 1. Current Rating: 1.0m Amp. Max..
- 2. Dielectric Withstand Voltage: 500V AC RMS for 60Seconds.
- 3. Insulation Resistance: 1000M Ohms Min. at 500V DC.
- 4. Contact Resistance: 20m Ohms Max..

Mechanical Characteristics:

- 1. Operating Temperature: -40°C ~ +85°C
- 2. Contact Us for Customization.

Table 1

Part No.	Dimensions			
	Pos.	A	B	C
AEMCES02A-006L	6			



A

B

C

D

E

F

RoHS Compliant

1

2

3

4

5

6

7

8

Tolerance 0 ±0.30 0.0 ±0.20 0.00 ±0.10	Drawn By Michael		
	Checked By Gavin		Title 2.54mm Pitch, SIM Card, Surface Mount, 6P, Without Cover
	Approved By Stephen		AECOMM Technology Corp.
Scale 1 : 1	Unit mm	Drawing No. MC002-S-01 Page 1/1	