

1

2

3

4

5

6

7

8

Rev.	Description	Date	Drawn by	Checked by	Approved by
A	New Drawing	2007/01/23	Michael	Gavin	Stephen

A

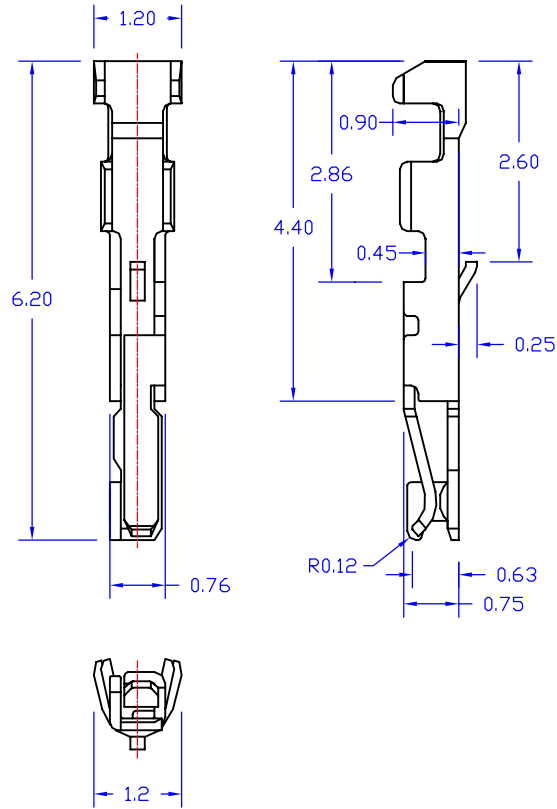
B

C

D

E

F



NOTE:

Material and Finish:

1. Terminal: Phosphor Bronze, Gold Plating Over All.

Electrical Characteristics:

1. Current Rating: 1.0 Amp. Max..

2. Dielectric Withstand Voltage:
500V AC RMS for 60Seconds.

3. Insulation Resistance:
100M Ohms Min, at 100V DC.

4. Contact Resistance: 40m Ohms Max..

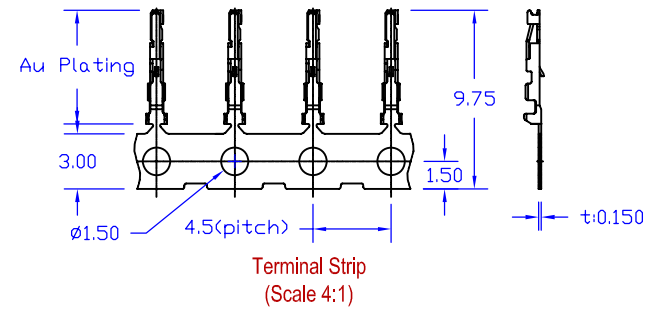
Mechanical Characteristics:

1. Operating Temperature: -25°C ~ +85°C

2. Contact Us for Customization.

Table 1

Part No.	Dimensions		
	H=0.75mm	Pos.	A B C
AELT9X02X-001L			



A

B

C

D

E

F

RoHS Compliant

Tolerance 0 ±0.20 0.0 ±0.15 0.00 ±0.10 Scale: 1:1 Unit: mm	Drawn By Michael	 1.00mm Pitch, Plug Housing Terminal, Metal Shield, Male AECONN Technology Corp.
	Checked By Gavin	
	Approved By Stephen	

Drawing No. LT002-S-01 Page 1/1

1

2

3

4

5

6

7

8