

1

2

3

4

5

6

7

8

A

B

C

D

E

F

Rev.	Description	Date	Drawn by	Checked by	Approved by
A	New Drawing	2007/01/22	Michael	Gavin	Stephen

NOTE:

Material and Finish:

1. Terminal; Phosphor Bronze, Gold Plating Over All.

Electrical Characteristics:

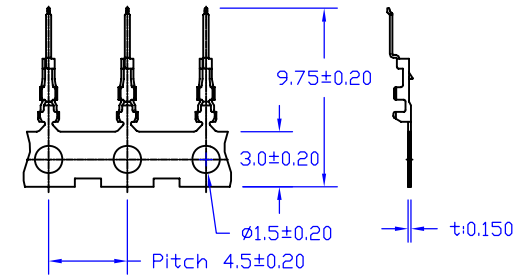
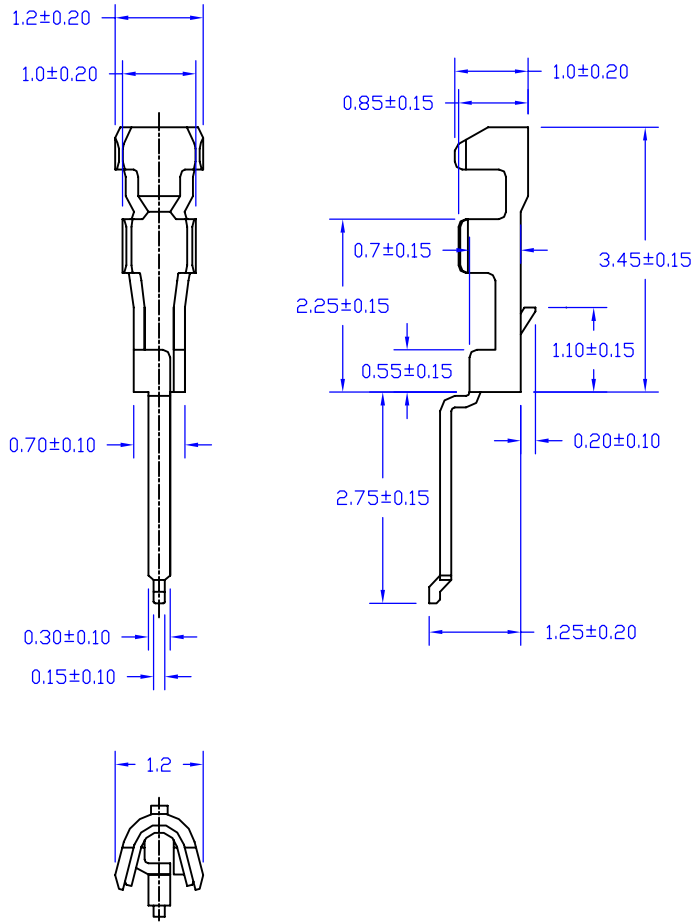
- 1. Current Rating: 1.0 Amp. Max.,
- 2. Dielectric Withstand Voltage: 500V AC RMS for 60Seconds.
- 3. Insulation Resistance: 100M Ohms Min. at 100V DC.
- 4. Contact Resistance: 40m Ohms Max..

Mechanical Characteristics:

- 1. Operating Temperature: -25°C ~ +85°C
- 2. Contact Us for Customization.

Table 1

Part No.	Dimensions		
	H=1.25mm	Pos.	A B C
AELT7X01X-001L			



Terminal Strip
(Scale 4:1)

RoHS Compliant

Tolerance 0 ±0.25 0.0 ±0.20 0.00 ±0.10 Scale 1:1 Unit mm	Drawn By Michael	 AECONN	
	Checked By Gavin		Title 0.50mm Pitch, Plug Housing Terminal 1, Locking Type, Metal Shield, Male
	Approved By Stephen		AECOMM Technology Corp.

Drawing No. LT001-S-01
Page 1/1

1

2

3

4

5

6

7

8

F