

1

2

3

4

5

6

7

8

Rev.	Description	Date	Drawn by	Checked by	Approved by
A	New Drawing	2007/01/23	Michael	Gavin	Stephen

A

A

B

B

C

C

D

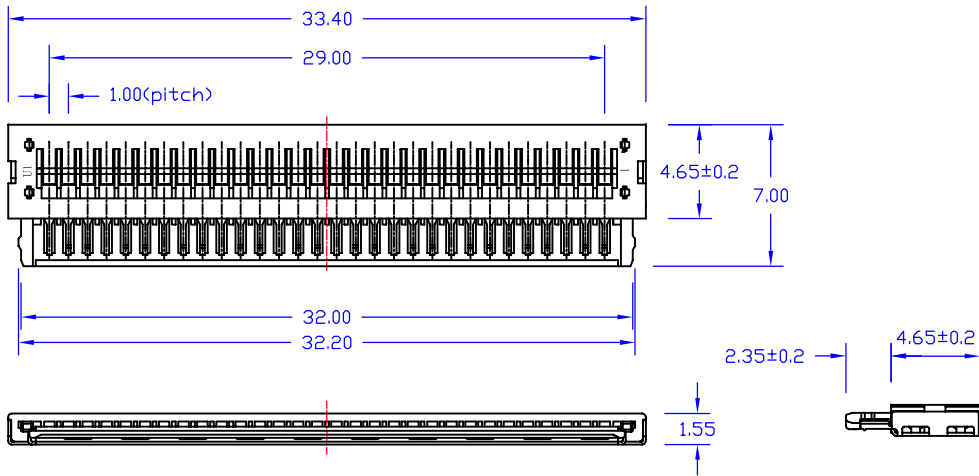
D

E

E

F

F



NOTE:

Material and Finish:

- 1. Housing: PA46 (UL94V-0), Nature.
- 2. Shield: Phosphor Bronze, Tin Plating.

Electrical Characteristics:

- 1. Current Rating: 1.0 Amp. Max..
- 2. Dielectric Withstand Voltage: 500V AC RMS for 60Seconds.
- 3. Insulation Resistance: 100M Ohms Min. at 100V DC.
- 4. Contact Resistance: 40m Ohms Max..

Mechanical Characteristics:

- 1. Operating Temperature: -25°C ~ +85°C
- 2. Contact Us for Customization.

Table 1

Part No.	Dimensions			
	Pos.	A	B	C
AELH9X03X-030L	30			

RoHS Compliant

Tolerance 0 ±0.25 0.0 ±0.20 0.00 ±0.15 Scale 1:1 Unit mm	Drawn By Michael	 1.00mm Pitch, Plug Housing, Slide Type, Metal Shield, Male AECONN Technology Corp.
	Checked By Gavin	
	Approved By Stephen	

Drawing No. LH003-S-01
Page 1/1

1

2

3

4

5

6

7

8