

1

2

3

4

5

6

7

8

A

B

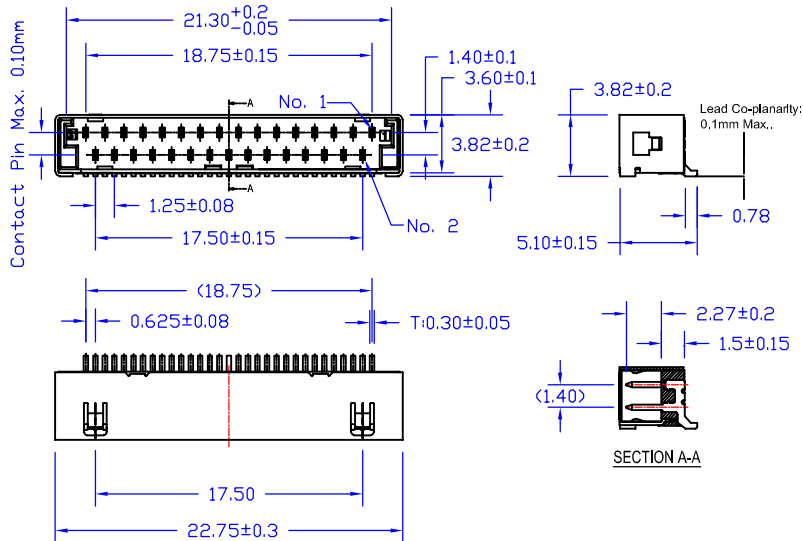
C

D

E

F

Rev.	Description	Date	Drawn by	Checked by	Approved by
A	New Drawing	2007/01/18	Michael	Gavin	Stephen



NOTE:

Material and Finish:

- Housing: LCP (UL94V-0), Black.
- Terminal: Phosphor Bronze, Gold Plating on Contact Area, Tin Plating on Solder Tail.
- Shield: SUS, Tin Plating.

Electrical Characteristics:

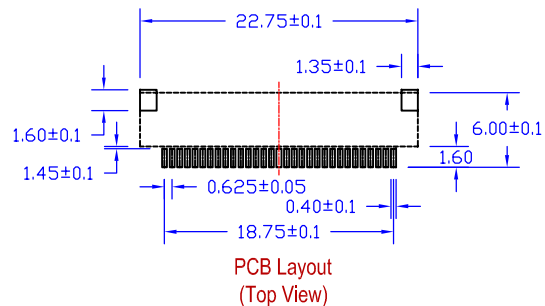
- Current Rating: 1.0 Amp. Max..
- Dielectric Withstand Voltage: 500V AC RMS for 60Seconds.
- Insulation Resistance: 100M Ohms Min. at 100V DC.
- Contact Resistance: 40m Ohms Max..

Mechanical Characteristics:

- Operating Temperature: $-25^{\circ}\text{C} \sim +85^{\circ}\text{C}$
- Contact Us for Customization.

Table 1

Part No.	Dimensions			
	Pos.	A	B	C
AEIFRS09B-031L	30			



RoHS Compliant

Tolerance 0 ±0.25 0.0 ±0.20 0.00 ±0.10	Drawn By Michael		
	Checked By Gavin		Title 1.25mm Pitch, Interface Slide, Board on Type, 30P, Metal Shield, Female
	Approved By Stephen		AECNN Technology Corp.
Scale 1 : 1	Unit mm		

Drawing No. IF009-S-01
Page 1/1

1

2

3

4

5

6

7

8

F