

1

2

3

4

5

6

7

8

A

B

C

D

E

F

A

B

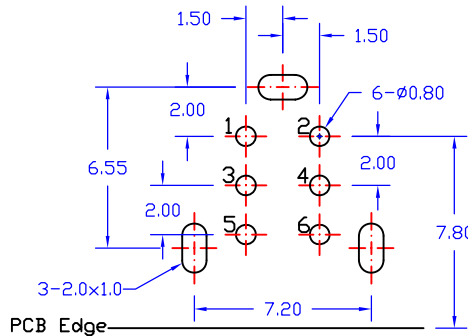
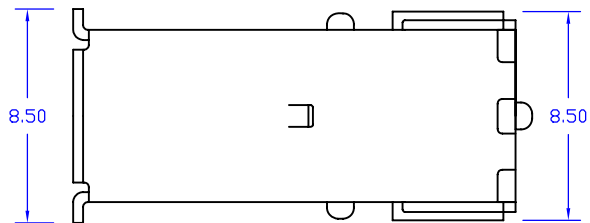
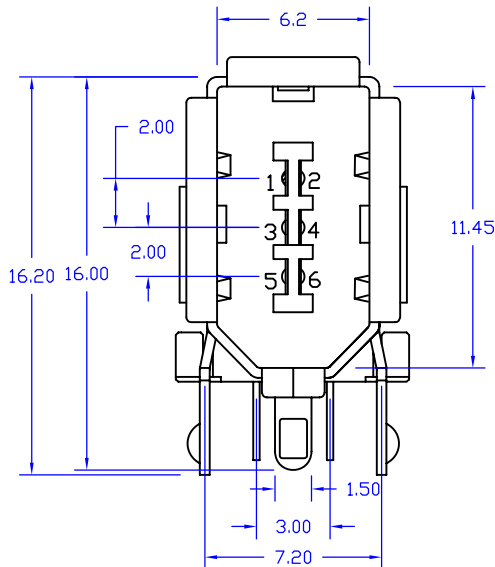
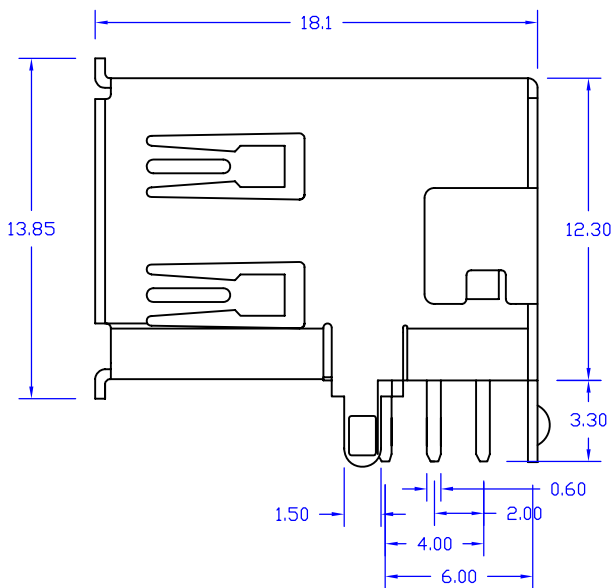
C

D

E

F

Rev.	Description	Date	Drawn by	Checked by	Approved by
A	New Drawing	2006/01/11	Michael	Gavin	Stephen



PCB Layout (Top View)

NOTE:

Material and Finish:

- 1. Housing: PBT (UL94V-0), White.
- 2. Terminal: Brass, Gold Plating on Contact Area, Tin Plating on Solder Tail.
- 3. Shield: Brass, Nickel Plating.

Electrical Characteristics:

- 1. Current Rating: 1.5 Amp. Max..
- 2. Dielectric Withstand Voltage: 500V AC RMS for 60Seconds.
- 3. Insulation Resistance: 100M Ohms Min. at 500V DC.
- 4. Contact Resistance: 30m Ohms Max..

Mechanical Characteristics:

- 1. Operating Temperature: -55°C ~ +85°C
- 2. Contact Us for Customization.

Table 1

Part No.	Dimensions			
	Pos.	A	B	C
H=12.3mm	6			
AEIECU08B-006F	6			

Tolerance 0.0 ±0.20 0.00 ±0.15	Drawn By Michael	
	Checked By Gavin	
	Approved By Stephen	
Scale 1:1	Unit mm	Title IEEE 1394, DIP Right Angle, 6P, Metal Shield, Female
		AECOMM Technology Corp.

RoHS Compliant

1

2

3

4

5

6

7

8

Drawing No. IEC08-S-01
Page 1/1