

1

2

3

4

5

6

7

8

Rev.	Description	Date	Drawn by	Checked by	Approved by
A	New Drawing	2006/01/08	Michael	Gavin	Stephen

A

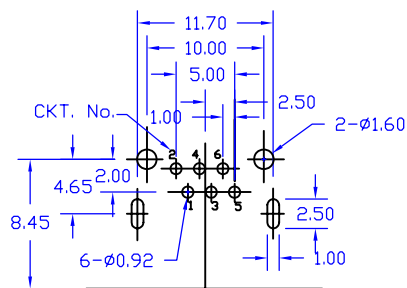
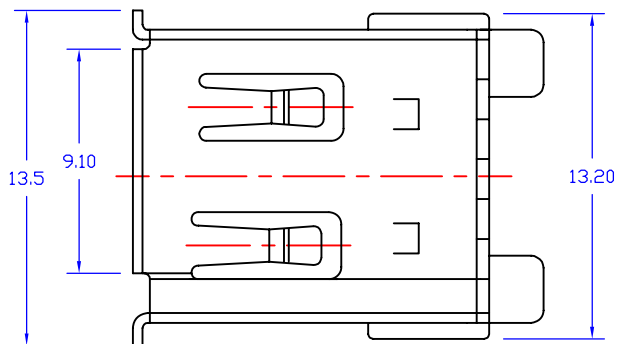
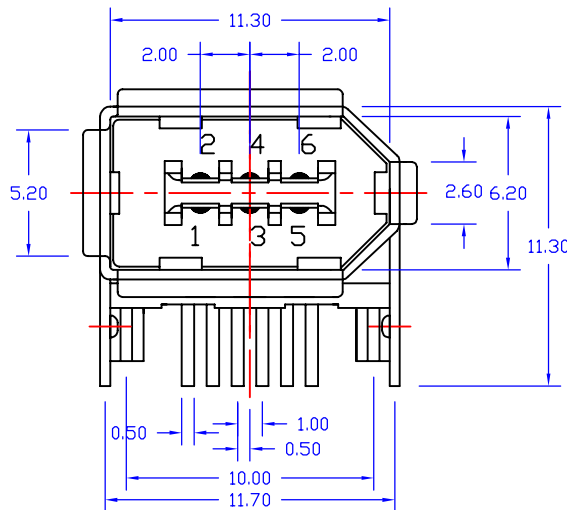
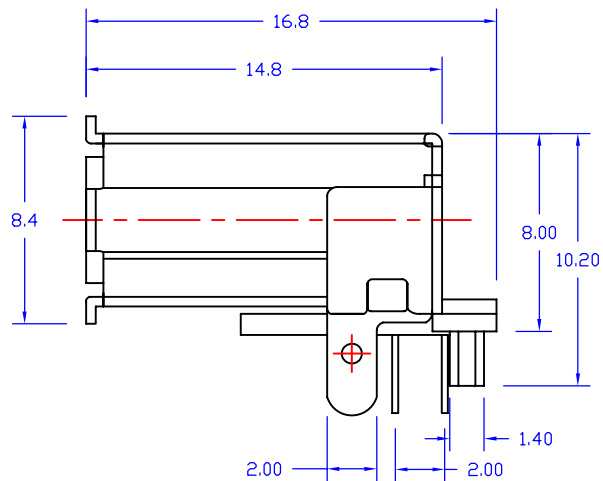
B

C

D

E

F



PCB Layout  
(Top View)  
(Scale 2:1)

**NOTE:**

**Material and Finish:**

- 1. Housing: PBT (UL94V-0), Black.
- 2. Terminal: Brass, Gold Plating on Contact Area, Tin Plating on Solder Tail.
- 3. Shield: Brass, Nickel Plating.

**Electrical Characteristics:**

- 1. Current Rating: 1.5 Amp. Max..
- 2. Dielectric Withstand Voltage: 500V AC RMS for 60Seconds.
- 3. Insulation Resistance: 100M Ohms Min. at 500V DC.
- 4. Contact Resistance: 30m Ohms Max..

**Mechanical Characteristics:**

- 1. Operating Temperature: -55°C ~ +85°C
- 2. Contact Us for Customization.

**Table 1**

Part No.	Dimensions			
	Pos.	A	B	C
H=8.0mm AEIE9R06B-006F	6			

Tolerance 0.0 ±0.20 0.00 ±0.15	Drawn By <b>Michael</b>	<b>AECONN</b>
	Checked By <b>Gavin</b>	
Approved By <b>Stephen</b>	Title <b>IEEE 1394, DIP Right Angle, 6P, Metal Shield, Female</b>	
Scale 1:1	Unit mm	AECONN Technology Corp.

**RoHS Compliant**

Drawing No. IEC06-S-01  
Page 1/1

1

2

3

4

5

6

7

8