

1

2

3

4

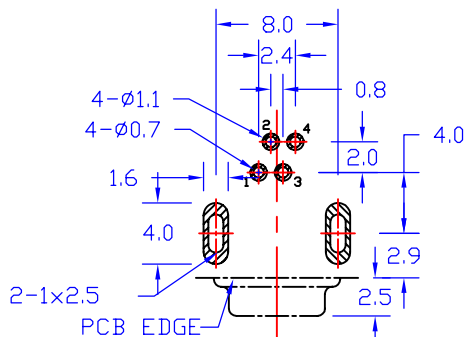
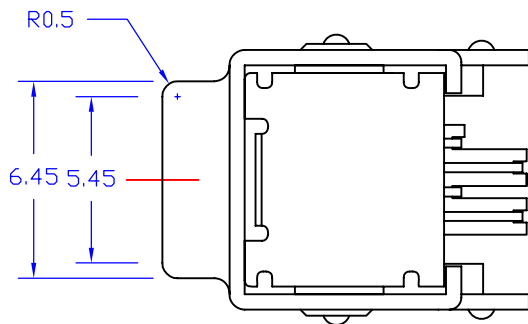
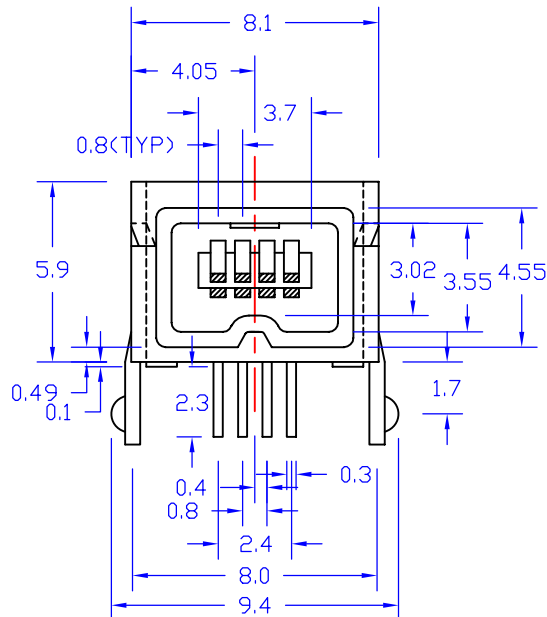
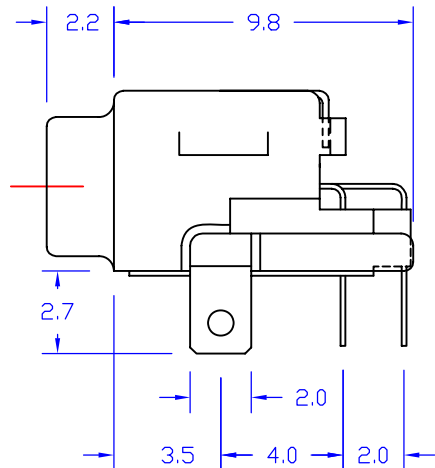
5

6

7

8

Rev.	Description	Date	Drawn by	Checked by	Approved by
A	New Drawing	2006/01/08	Michael	Gavin	Stephen



PCB Layout  
(Top View)  
(Scale 2:1)

**NOTE:**

**Material and Finish:**

1. Housing: PA9T (UL94V-0), Black.
2. Terminal: Phosphor Bronze, Gold Plating on Contact Area, Tin Plating on Solder Tail.
3. Shield: Steel, Nickel Plating.

**Electrical Characteristics:**

1. Current Rating: 0.5 Amp. Max..
2. Dielectric Withstand Voltage: 100V AC RMS for 60Seconds.
3. Insulation Resistance: 100M Ohms Min. at 500V DC.
4. Contact Resistance: 50m Ohms Max..

**Mechanical Characteristics:**

1. Operating Temperature: -25°C ~ +85°C
2. Contact Us for Customization.

**Table 1**

Part No.	Dimensions			
	Pos.	A	B	C
AEIE8R02B-004L	4			

Tolerance 0.0 ±0.20 0.00 ±0.10	Drawn By <b>Michael</b>	<b>AECONN</b>
	Checked By <b>Gavin</b>	
Approved By <b>Stephen</b>	Title <b>IEEE 1394, DIP Right Angle, 4P, Metal Shield, Female</b>	
Scale 1:1	Unit mm	AECONN Technology Corp.

**RoHS Compliant**

1

2

3

4

5

6

7

8