

1

2

3

4

5

6

7

8

A

B

C

D

E

F

A

B

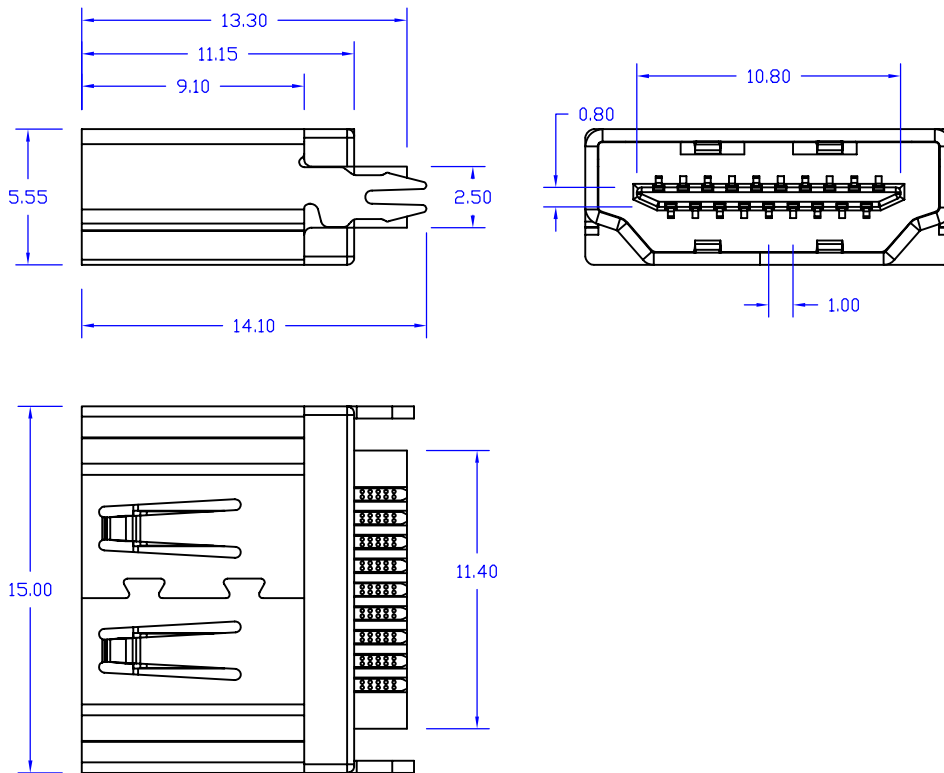
C

D

E

F

Rev.	Description	Date	Drawn by	Checked by	Approved by
A	New Drawing	2006/01/11	Michael	Gavin	Stephen



NOTE:

Material and Finish:

- Housing: LCP (UL94V-0), Black.
- Terminal: Phosphor Bronze, Gold Plating on Contact Area, Tin Plating on Solder Tail.
- Shield: Brass, Nickel Plating.

Electrical Characteristics:

- Current Rating: 1.5 Amp. Max..
- Dielectric Withstand Voltage: 500V AC RMS for 60Seconds.
- Insulation Resistance: 100M Ohms Min. at 500V DC.
- Contact Resistance: 30m Ohms Max..

Mechanical Characteristics:

- Operating Temperature: -55°C ~ +85°C
- Contact Us for Customization.

Table 1

Part No.	Dimensions			
	Pos.	A	B	C
AEHD9O01B-019L	19			

RoHS Compliant

Tolerance 0.0 ±0.20 0.00 ±0.15 0.000 ±0.05 Scale 1:1 Unit mm	Drawn By Michael	 Title HDMI, Solder Type, 19P, Metal Shield, Female AECOMM Technology Corp.
	Checked By Gavin	
	Approved By Stephen	

Drawing No. HD001-S-01 Page 1/1

1

2

3

4

5

6

7

8