

1

2

3

4

5

6

7

8

Rev.	Description	Date	Drawn by	Checked by	Approved by
A	New Drawing	2006/12/07	Michael	Gavin	Stephen

A

B

C

D

E

F

A

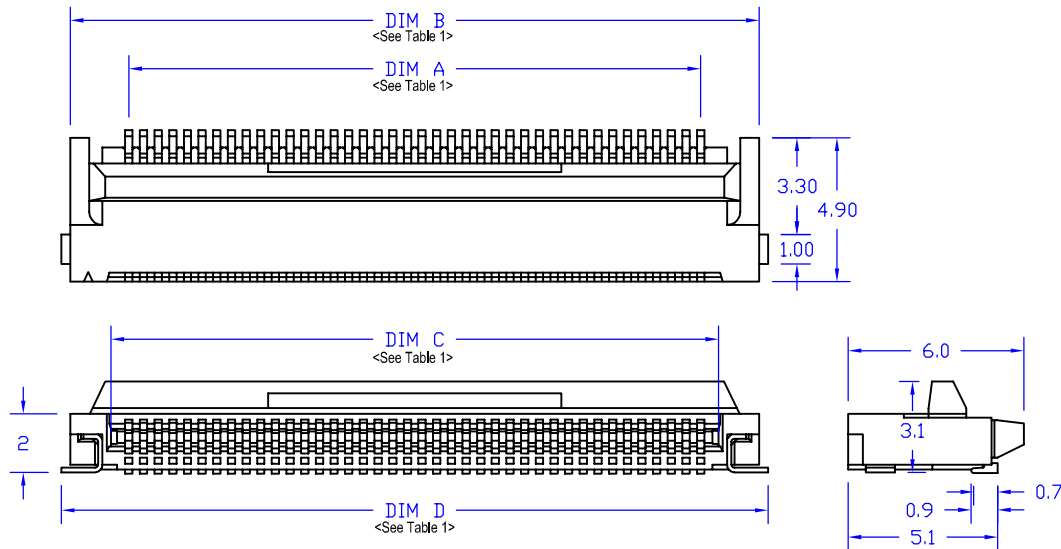
B

C

D

E

F



NOTE:

Material and Finish:

- 1. Housing: PA46+40GF (UL94V-0), White.
- 2. Terminal: Phosphor Bronze, Gold Plating on Contact Area, Tin Plating on solder Tail.
- 3. Latch: Phosphor Bronze, Tin Plating.

Electrical Characteristics:

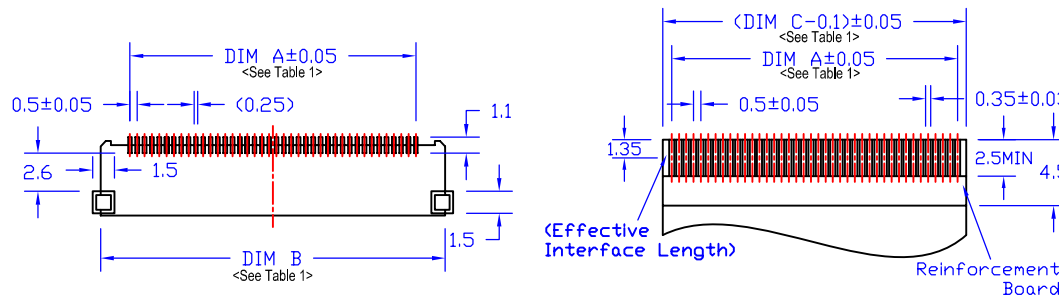
- 1. Current Rating: 0.5 Amp. Max..
- 2. Dielectric Withstand Voltage: 250V AC RMS for 60Seconds.
- 3. Insulation Resistance: 50M Ohms Min. at 500V DC.
- 4. Contact Resistance: 40m Ohms Max..

Mechanical Characteristics:

- 1. Operating Temperature: -55°C ~ +85°C
- 2. Contact Us for Customization.

Table 1

Part No.	Dimensions					
	H=2.0mm	Pos	A	B	C	D
AEFP7D04B-004L	10	1.5	5.5	2.8	6.1	
AEFP7D04B-010L	12	4.5	8.5	5.8	9.1	
AEFP7D04B-012L	14	5.5	9.5	6.8	10.1	
AEFP7D04B-015L	16	7.0	11.0	8.3	11.6	
AEFP7D04B-020L	20	9.5	13.5	10.8	14.1	
AEFP7D04B-030L	22	14.5	18.5	15.8	19.1	
AEFP7D04B-040L	24	19.5	23.5	20.8	24.1	
AEFP7D04B-045L	26	22.0	26.0	23.3	26.6	
AEFP7D04B-050L	30	24.5	28.5	25.8	29.1	
AEFP7D04B-054L	34	26.5	30.5	27.8	31.1	
AEFP7D04B-060L	40	29.5	33.5	30.8	34.1	



PCB Layout
(Top View)
(Scale 2:1)

T=0.3^{+0.05}_{-0.00}
(Conductive Plating)
(Scale 2:1)

RoHS Compliant

Tolerance 0. ±0.25 0.0 ±0.15 0.00 ±0.10	Drawn By Michael		
	Checked By Gavin		Title 0.50mm Pitch, FPC, Surface Mount Right Angle, Dual Type, Dual Contact, H=2.0mm
	Approved By Stephen		AECOMN Technology Corp.

Drawing No. FP006-S-01
Page 1/1

1

2

3

4

5

6

7

8