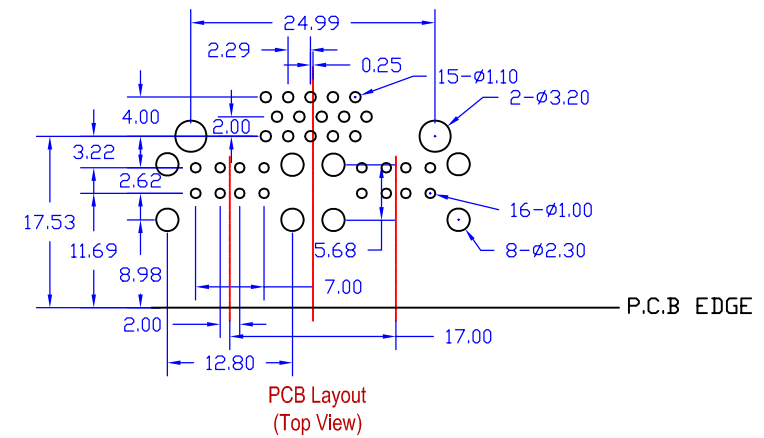
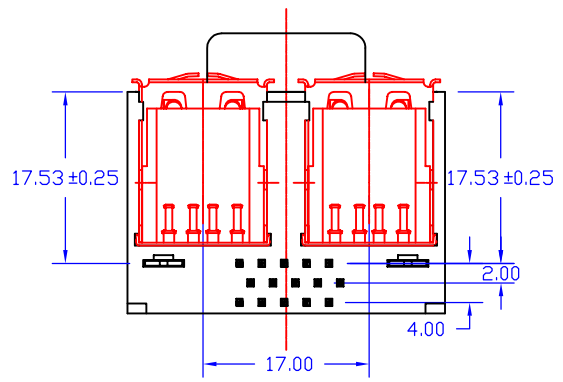
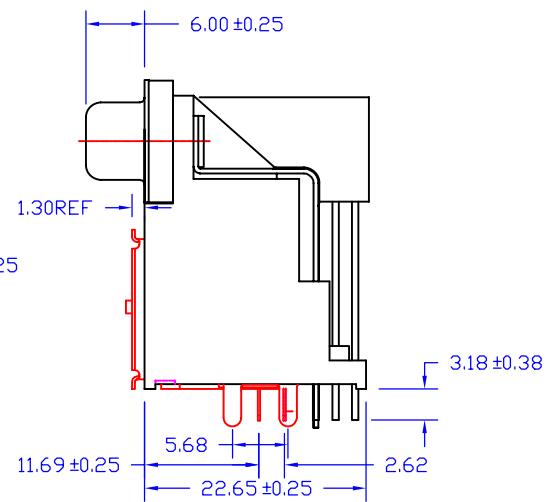
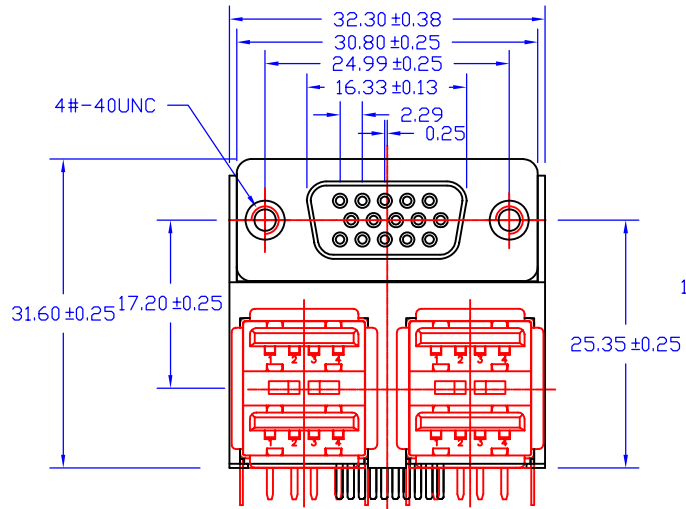


Rev.	Description	Date	Drawn by	Checked by	Approved by
A	New Drawing	2006/12/01	Michael	Gavin	Stephen



NOTE:
Material and Finish:
 1. Housing: PBT (UL94V-0), Blue.
 2. Terminal: Brass, Gold Plating on Contact Area, Tin Plating on solder Tail.
 3. Shield: Cold Roller Steel, Nickel Plating.
Electrical Characteristics:
 1. Current Rating: 3.0 Amp. Max..
 2. Dielectric Withstand Voltage: 1000V AC RMS for 60Seconds.
 3. Insulation Resistance: 5000M Ohms Min. at 500V DC.
 4. Contact Resistance: 25m Ohms Max..
Mechanical Characteristics:
 1. Operating Temperature: -55°C ~ +105°C
 2. Contact Us for Customization.

Table 1

Part No.	Dimensions			
	Pos.	A	B	C
AEDSFR07B-015F	15			

Tolerance 0.0 ±0.38 0.00 ±0.25 0.000 ±0.13	Drawn By Michael		
	Checked By Gavin		Title D-Sub & A Type USB(2*2), DIP Right Angle, 15P HD Female
	Approved By Stephen		AECOMM Technology Corp.
Scale 1:1	Unit mm	Drawing No. DS007-S-01 Page 1/1	

RoHS Compliant