

Rev.	Description	Date	Drawn by	Checked by	Approved by
A	New Drawing	2006/12/01	Michael	Gavin	Stephen

NOTE:

Material and Finish:

1. Housing: PBT (UL94V-0), Blue.
2. Terminal: Brass, Gold Plating on Contact Area, Tin Plating on solder Tail.
3. Shield: Cold Roller Steel, Nickel Plating.

Electrical Characteristics:

1. Current Rating: 3.0 Amp. Max..
2. Dielectric Withstand Voltage: 1000V AC RMS for 60Seconds.
3. Insulation Resistance: 5000M Ohms Min. at 500V DC.
4. Contact Resistance: 25m Ohms Max..

Mechanical Characteristics:

1. Operating Temperature: -55°C ~ +105°C
2. Contact Us for Customization.

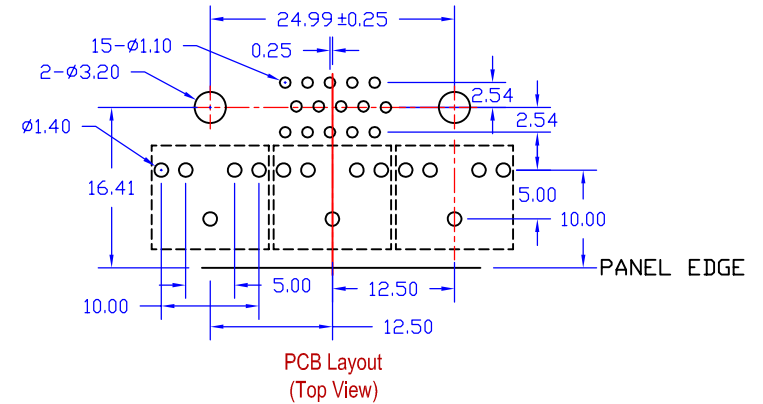
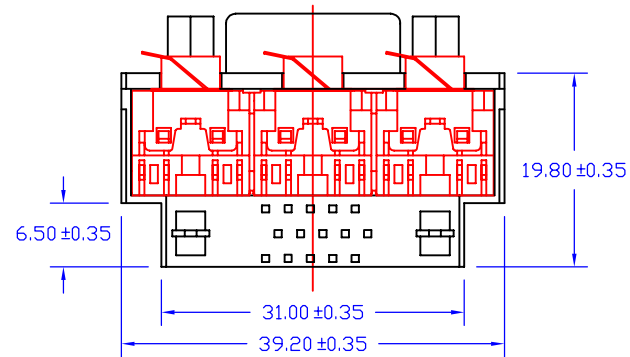
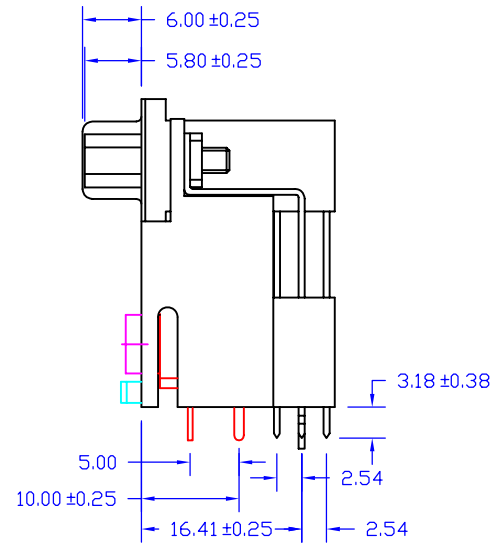
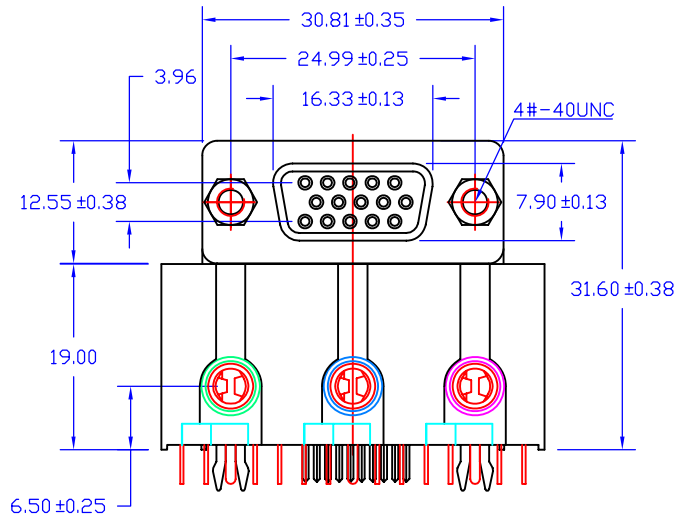


Table 1

Part No.		Dimensions		
15P Male	Pos.	A	B	C
AEDSFR06B-015F	15			

Tolerance	
0.0	±0.38
0.00	±0.25
0.000	±0.13

Drawn By
Michael

Checked By
Gavin

Approved By
Stephen

AECONN

D-Sub & 3 Audio Jacks, DIP Right Angle, 15P HD Female

AECONN Technology Corp.

RoHS Compliant

Drawing No. DS006-S-01
Page 1/1