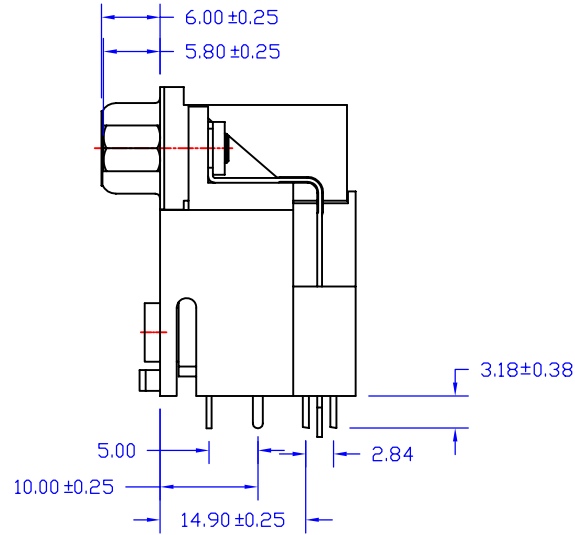
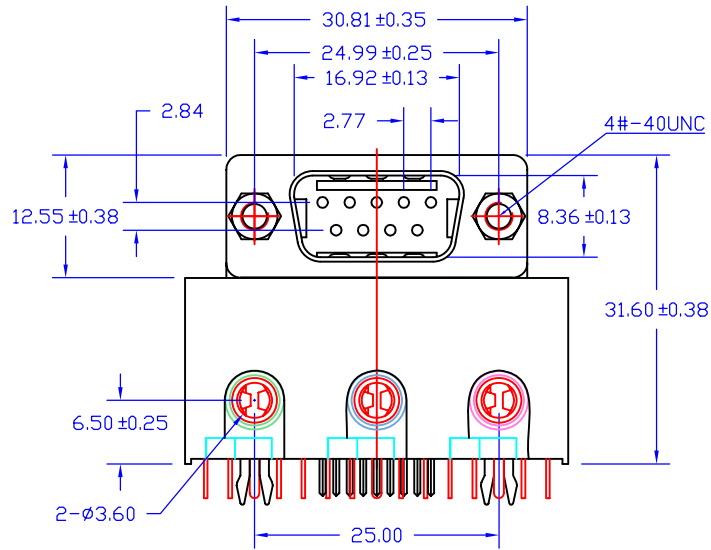


Rev.	Description	Date	Drawn by	Checked by	Approved by
A	New Drawing	2006/11/30	Michael	Gavin	Stephen



**NOTE:**

**Material and Finish:**

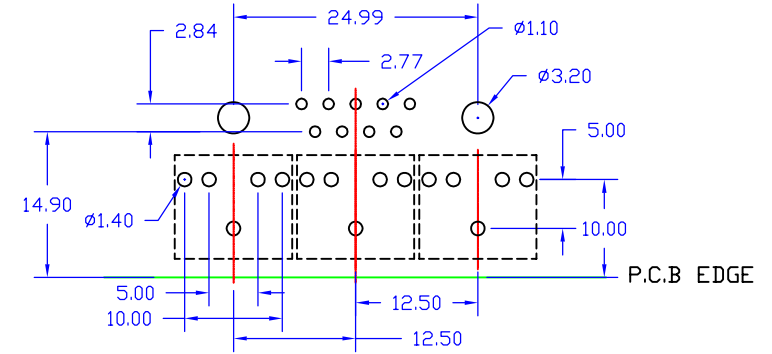
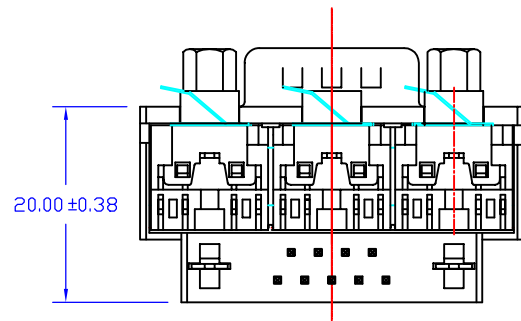
1. Housing: PBT (UL94V-0), Purple.
2. Terminal: Brass, Gold Plating on Contact Area, Tin Plating on solder Tail.
3. Shield: Cold Roller Steel, Nickel Plating.

**Electrical Characteristics:**

1. Current Rating: 3.0 Amp. Max..
2. Dielectric Withstand Voltage: 1000V AC RMS for 60Seconds.
3. Insulation Resistance: 5000M Ohms Min. at 500V DC.
4. Contact Resistance: 25m Ohms Max..

**Mechanical Characteristics:**

1. Operating Temperature: -55°C ~ +105°C
2. Contact Us for Customization.



PCB Layout  
(Top View)

Table 1

Part No.	Dimensions			
9P Male	Pos.	A	B	C
AEDSIR04B-009F	9			

Tolerance	
0.0	±0.38
0.00	±0.25
0.000	±0.15

Drawn By  
**Michael**

Checked By  
**Gavin**

Approved By  
**Stephen**

**AECOMN**

Title  
**D-Sub & 3 Audio Jacks, DIP Right Angle, Slim Type, 9P Male**

AECOMN Technology Corp.

Scale  
1 : 1

Unit  
mm

**RoHS Compliant**

Drawing No. DS004-S-01  
Page 1/1