

1

2

3

4

5

6

7

8

Rev.	Description	Date	Drawn by	Checked by	Approved by
A	New Drawing	2006/11/30	Michael	Gavin	Stephen

NOTE:

Material and Finish:

1. Housing: PBT (UL94V-0), Blue.
2. Terminal: Brass, Gold Plating on Contact Area, Tin Plating on solder Tail.
3. Shield: Cold Roller Steel, Nickel Plating.

Electrical Characteristics:

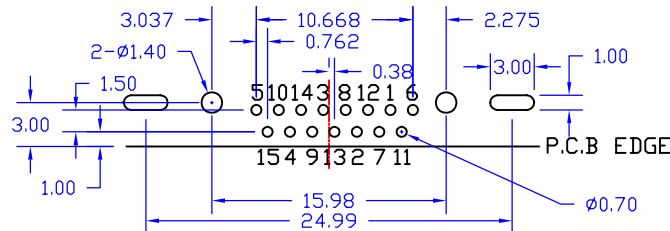
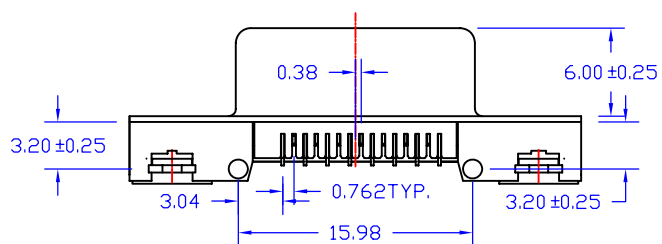
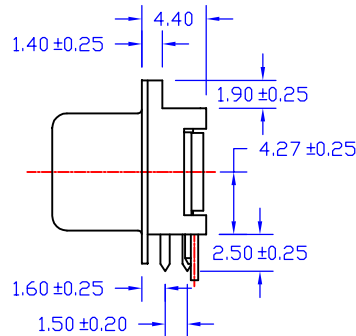
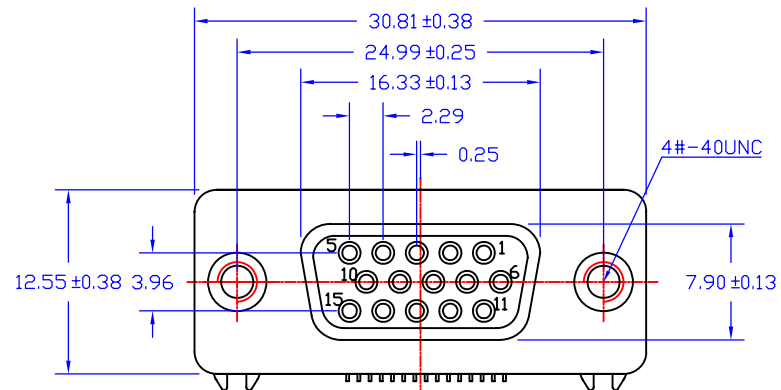
1. Current Rating: 3.0 Amp. Max..
2. Dielectric Withstand Voltage: 1000V AC RMS for 60Seconds.
3. Insulation Resistance: 5000M Ohms Min. at 500V DC.
4. Contact Resistance: 25m Ohms Max..

Mechanical Characteristics:

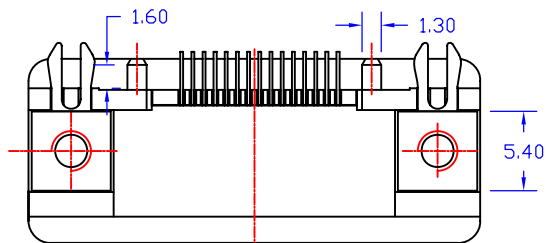
1. Operating Temperature: -55°C ~ +105°C
2. Contact Us for Customization.

Table 1

Part No.	Dimensions			
	Pos.	A	B	C
AEDSFR02B-015F	15			



PCB Layout (Top View)



Tolerance	0.0 ±0.38
	0.00 ±0.25
	0.000 ±0.13

Drawn By
Michael

Checked By
Gavin

Approved By
Stephen

AECOMN

D-Sub, DIP Right Angle, Slim Type, 15P Female

AECOMN Technology Corp.

Scale
1:1

Unit
mm

Drawing No. DS002-S-01

Page 1/1

RoHS Compliant

1

2

3

4

5

6

7

8