

1

2

3

4

5

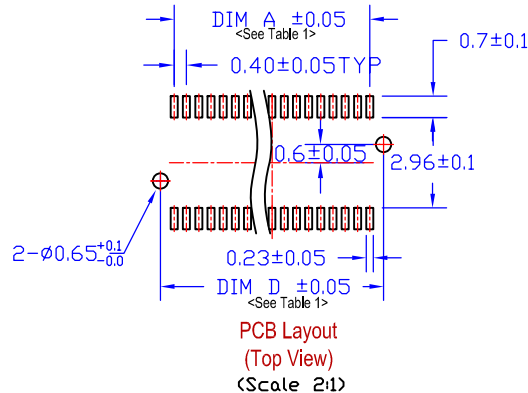
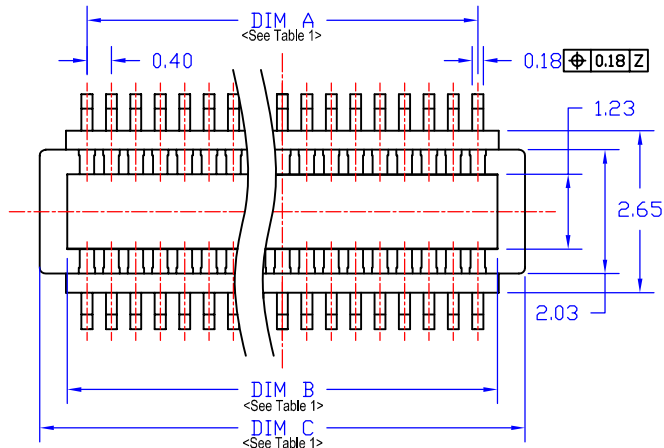
6

7

8

Rev.	Description	Date	Drawn by	Checked by	Approved by
A	New Drawing	2006/11/27	Michael	Gavin	Stephen

A



NOTE:

Material and Finish:

- 1. Housing: LCP (UL94V-0), Black.
- 2. Terminal: Phosphor Bronze, Gold Plated Over All.

Electrical Characteristics:

- 1. Current Rating: 0.5 Amp. Max..
- 2. Dielectric Withstand Voltage: 250V AC RMS for 60Seconds.
- 3. Insulation Resistance: 1000M Ohms Min. at 100V DC.
- 4. Contact Resistance: 20m Ohms Max..

Mechanical Characteristics:

- 1. Operating Temperature: -25°C ~ +85°C
- 2. Contact Us for Customization.

B

C

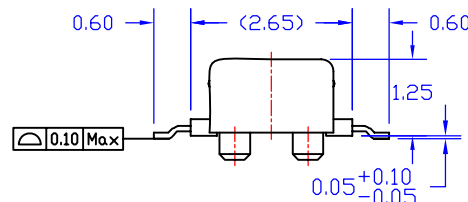
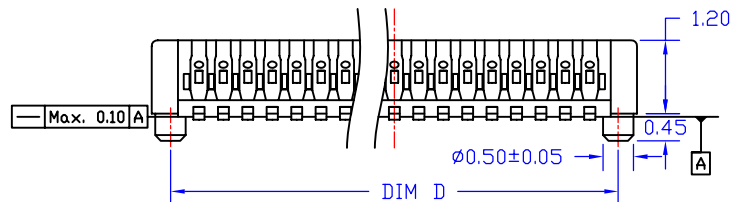
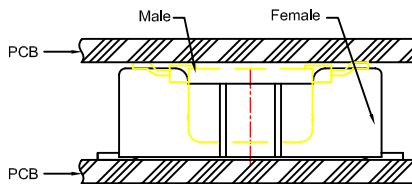
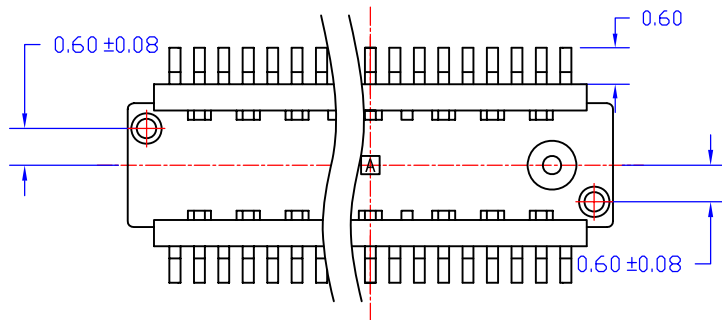


Table 1

Part No.	Dimensions					
	H=1.25mm	Pos.	A	B	C	D
AEBB6M02A-020L	20	3.60	4.20	5.15	4.50	
AEBB6M02A-024L	24	4.40	5.00	5.95	5.30	
AEBB6M02A-030L	30	5.60	6.20	7.15	6.50	
AEBB6M02A-034L	34	6.40	7.00	7.95	7.30	
AEBB6M02A-040L	40	7.60	8.20	9.15	8.50	
AEBB6M02A-050L	50	9.60	10.20	11.15	10.50	
AEBB6M02A-054L	54	10.40	11.00	11.95	11.30	
AEBB6M02A-060L	60	11.60	12.20	13.15	12.50	

D

E



Mated Condition

F

RoHS Compliant

Tolerance	
0	±0.20
0.0	±0.15
0.00	±0.10

Drawn By
Michael

Checked By
Gavin

Approved By
Stephen

AECONN

Title
0.40mm Pitch, Board to Board, Surface Mount Vertical, Male, H=1.5mm

AECONN Technology Corp.

Drawing No. BB003-S-01
Page 1/1

1

2

3

4

5

6

7

8