

1

2

3

4

5

6

7

8

Rev.	Description	Date	Drawn by	Checked by	Approved by
A	New Drawing	2006/12/29	Michael		

A

B

C

D

E

F

A

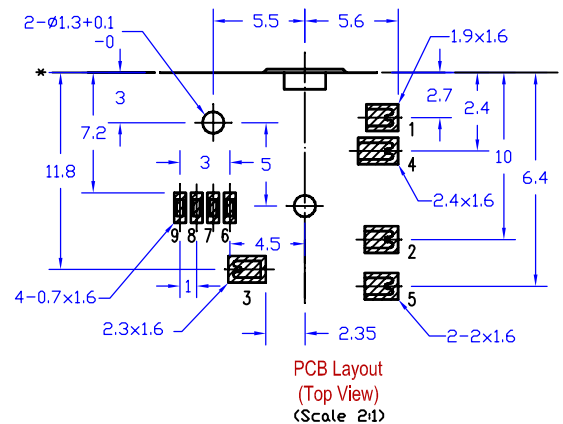
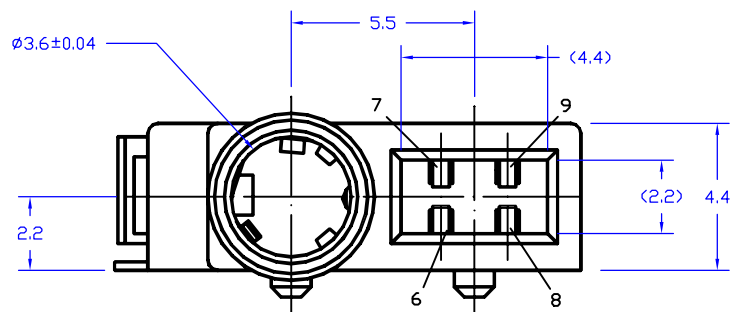
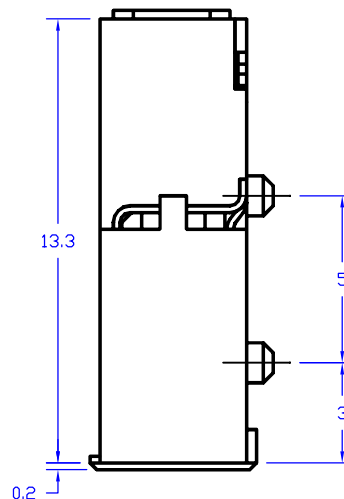
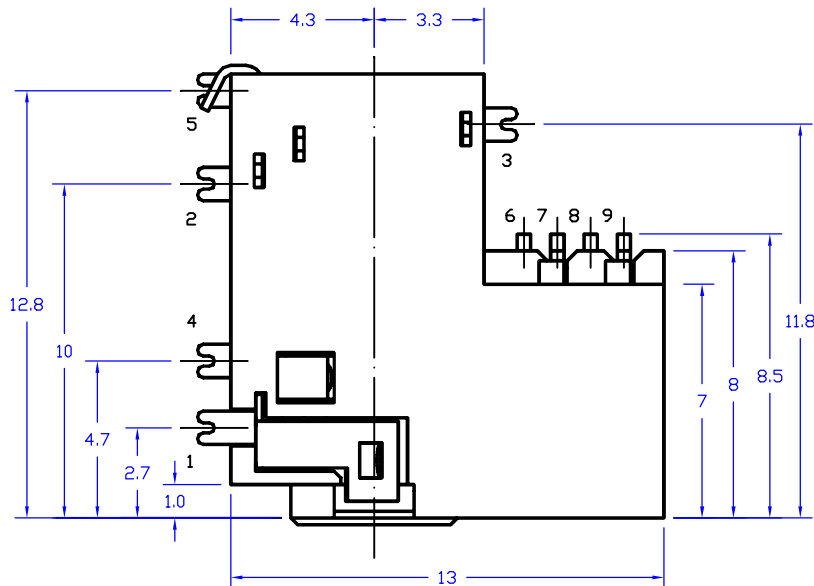
B

C

D

E

F



NOTE:

Material and Finish:

- 1. Housing: PA9T (UL94V-0), Black.
- 2. Terminal: Phosphor Bronze, Gold Plating Over All.

Electrical Characteristics:

- 1. Current Rating: 1.0 Amp. Max..
- 2. Dielectric Withstand Voltage: 500V AC RMS for 60Seconds.
- 3. Insulation Resistance: 1000M Ohms Min. at 500V DC.
- 4. Contact Resistance: 30m Ohms Max..

Mechanical Characteristics:

- 1. Operating Temperature: -25°C ~ +65°C
- 2. Contact Us for Customization.

RoHS Compliant

PART NO.	AEAJS05A-009L
CIRCUIT	

Table 1

Part No.	Dimensions			
	Pos.	A	B	C
AEAJS05A-009L	9			

Tolerance	
0	± 0.30
0.0	± 0.30
0.00	± 0.20

Drawn By
Michael

Checked By

Approved By

AECONN

3.50mm Dia., Audio Jack, Surface Mount Right Angle, 9P, Female

AECONN Technology Corp.

Drawing No. AJ005-S-01
Page 1/1

1

2

3

4

5

6

7

8