

1

2

3

4

5

6

7

8

Rev.	Description	Date	Drawn by	Checked by	Approved by
A	New Drawing	2006/12/29	Michael	Gavin	Stephen

A

B

C

D

E

F

A

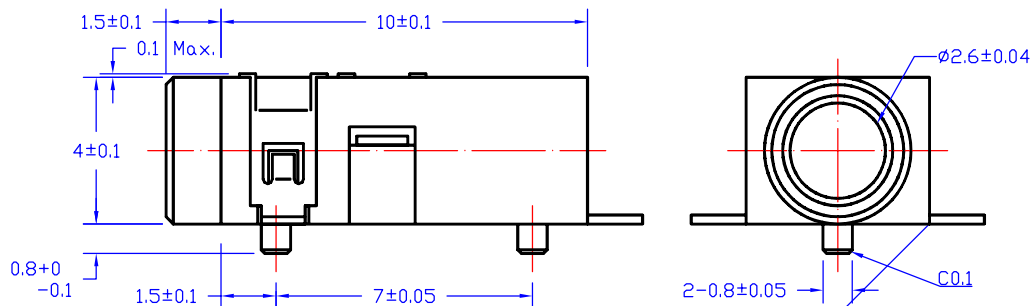
B

C

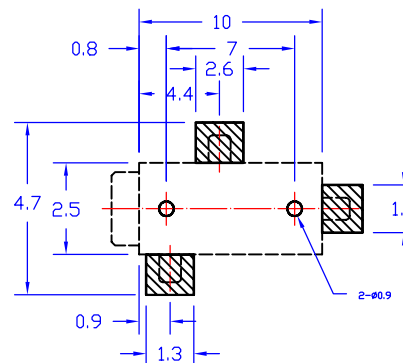
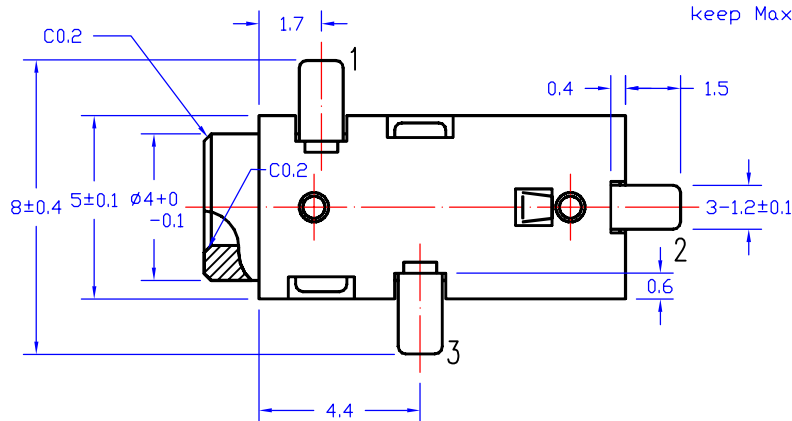
D

E

F



All Pin terminals must keep Max 0.1 discrepancy.



PCB Layout  
(Top View)  
(Scale 2:1)

**NOTE:**

**Material and Finish:**

- Housing: PA9T (UL94V-0), Black.
- Terminal: Phosphor Bronze, Tin Plating Over All.

**Electrical Characteristics:**

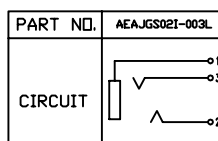
- Current Rating: 1.0 Amp. Max..
- Dielectric Withstand Voltage: 500V AC RMS for 60Seconds.
- Insulation Resistance: 1000M Ohms Min. at 500V DC.
- Contact Resistance: 30m Ohms Max..

**Mechanical Characteristics:**

- Operating Temperature: -25°C ~ +65°C
- Contact Us for Customization.

**Table 1**

Part No.	Dimensions		
	H=4.0mm	Pos.	A B C
AEAJGS02I-003L	3		



Tolerance	0 ±0.30 0.0 ±0.30 0.00 ±0.20
Scale	1:1
Unit	mm

Drawn By	Michael
Checked By	Gavin
Approved By	Stephen

**AECONN**

Title  
**2.50mm Dia., Audio Jack, Surface Mount Right Angle, 3P, Female**

AECONN Technology Corp.

**RoHS Compliant**

1

2

3

4

5

6

7

8

Drawing No. AJ002-S-01  
Page 1/1