

1

2

3

4

5

6

7

8

A

B

C

D

E

F

A

B

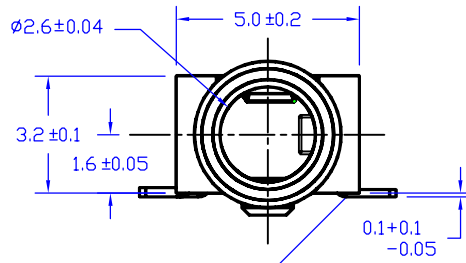
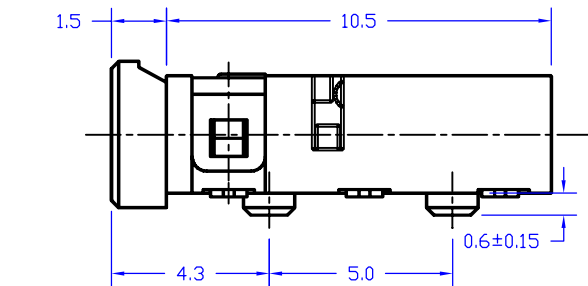
C

D

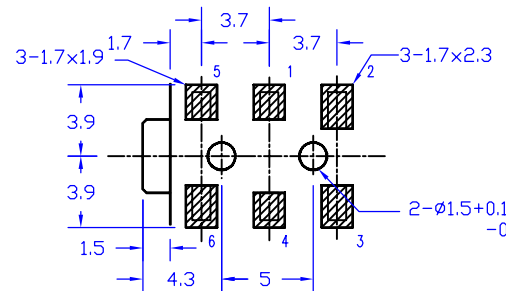
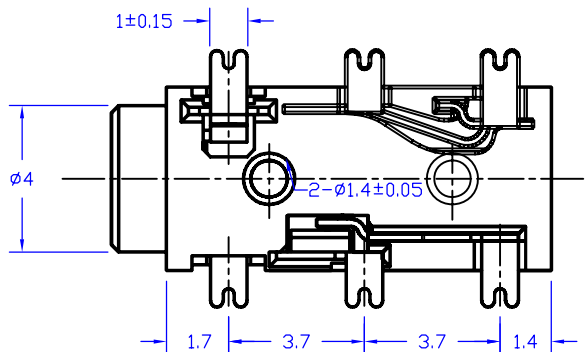
E

F

Rev.	Description	Date	Drawn by	Checked by	Approved by
A	New Drawing	2006/12/28	Michael	Gavin	Stephen



All Pin terminals must keep Max 0.1 discrepancy.



PCB Layout (Top View) (Scale 2:1)

NOTE:

Material and Finish:

- Housing: LCP (UL94V-0), Black.
- Terminal: Phosphor Bronze, Gold Plating Over All.

Electrical Characteristics:

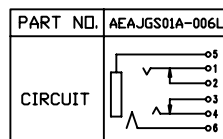
- Current Rating: 1.0 Amp. Max..
- Dielectric Withstand Voltage: 500V AC RMS for 60Seconds.
- Insulation Resistance: 5000M Ohms Min. at 500V DC.
- Contact Resistance: 20m Ohms Max..

Mechanical Characteristics:

- Operating Temperature: -25°C ~ +85°C
- Contact Us for Customization.

Table 1

Part No.	Dimensions			
	Pos.	A	B	C
AEAJGS01A-006L	6			



Tolerance	0 ±0.30
	0.0 ±0.30
	0.00 ±0.20

Drawn By
Michael

Checked By
Gavin

Approved By
Stephen

AECONN

Title
2.50mm Dia., Audio Jack, Surface Mount Right Angle, 6P, Female

AECONN Technology Corp.

RoHS Compliant

Drawing No. AJ001-S-01
Page 1/1

1

2

3

4

5

6

7

8